

Verso R 1300 U/H/V

Nominal air flow, m ³ /h	1300
Panel thickness, mm	50
Unit weight, kg	203
Supply voltage HE, V	3~400
Supply voltage HW, V	1~230
Maximal operating current HE, A	11,7
Maximal operating current HW, A	5,5
Filters dimensions BxHxL, mm	800x400x46-M5
Electric power input of the fan drive at maximum flow rate, W	221
Electric air heater capacity, kW / Δt, °C	4,5 / 9,6
Control panel	C5.1
Maintenance space, mm	800



The photo is intended for informational purposes only, exact details may vary.

Acoustic data

A-weighted sound power level L_{WA}, dB(A)
at nominal flow rate

Supply inlet	57
Supply outlet	71
Exhaust inlet	57
Exhaust outlet	68
Casing	51

A-weighted sound pressure level L_{PA}, dB(A)

10 m² normally isolated room, distance from casing – 3 m.

Surroundings	41
--------------	----

Temperature efficiency

Outside temperature, °C	Winter					Summer		
	-23	-15	-10	-5	0	25	30	35
After heat exchanger, °C	12,9	14,5	15,5	16,5	17,5	22,6	23,6	24,6

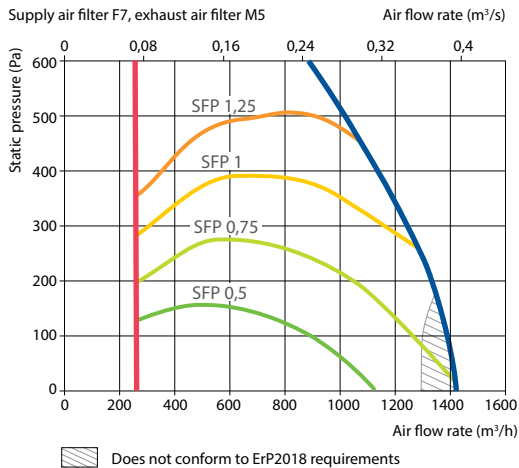
indoor +22°C, 10% RH

Changeover water heating/cooling exchanger (HCW)

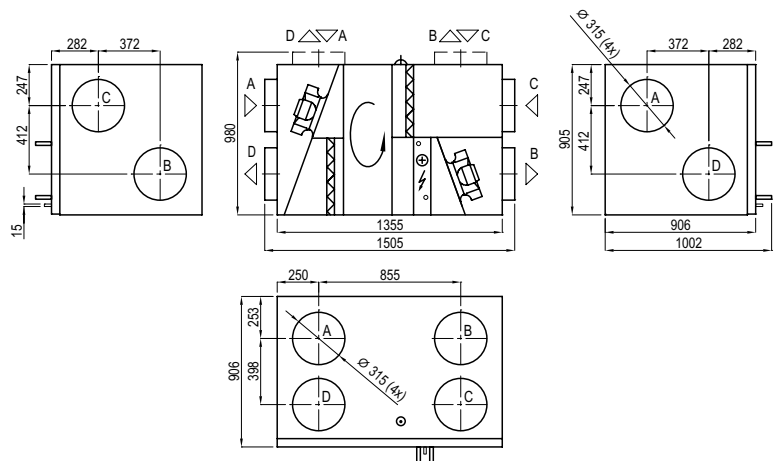
Water temperature in/out, °C	Winter			Summer
	80/60	70/50	60/40	7/12
Capacity, kW	4,0	4,0	4,0	8,3
Flow rate, dm ³ /h	175	175	174	1429
Pressure drop, kPa	2,3	2,4	2,4	51,2
Temperature in/out, °C	12,9/22			24,6/18
Maximal capacity, kW	17,7	14,4	11,1	12,3
Connection, "	½			

Performance (Verso R 1300 UH data)

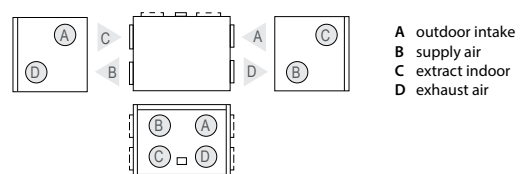
Supply air filter F7, exhaust air filter M5



Shown as right (R1)



Shown as left (L1)



Accessories (p. 108)

Closing damper	AGUJ-M-315+LF24/LM24
Silencer	A/D AGS-315-100-900-M
	B/C AGS-315-100-1200-M
PPU	PPU-HW-3R-15-1-W2
Water heater	DCW-1,2-8
2-way valve	VVP45.20-4.0+SSB61
DX cooler	DCF-1,2-8
Cooling unit	MOU-36HFN6-KA8243