

Domekt R 600 H

| | |
|---|---------------|
| Maximal air flow, m ³ /h | 584 |
| Panel thickness, mm | 50 |
| Unit weight, kg | 80 |
| Supply voltage, V | 1~230 |
| Maximal operating current, A | HE 7,3 |
| Thermal efficiency of heat recovery, % | 83 |
| Reference flow rate, m ³ /s | 0,114 |
| Reference pressure difference, Pa | 50 |
| SPI, W/(m ³ /h) | 0,37 |
| Filters dimensions BxHxL, mm | 475x235x46-M5 |
| Electric power input of the fan drive at reference flow rate, W | 77 |
| Electric power input of the fan drive at maximum flow rate, W | 179 |
| Electric air heater capacity, kW / Δt, °C | 1 / 6,8 |
| Control panel | C6.1 / C6.2 |
| Maintenance space, mm | 500 |



The photo is intended for informational purposes only, exact details may vary.

Acoustic data

A-weighted sound power level L_{WA}, dB(A)
at reference flow rate

| | |
|----------------|----|
| Supply inlet | 58 |
| Supply outlet | 67 |
| Exhaust inlet | 58 |
| Exhaust outlet | 67 |
| Casing | 47 |

A-weighted sound pressure level L_{PA}, dB(A)

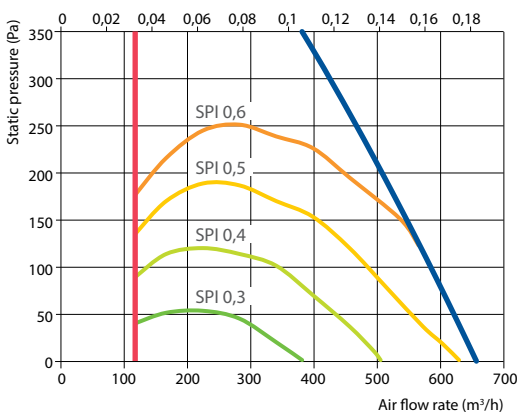
10 m² normally isolated room, distance from casing – 3 m.

| | |
|--------------|----|
| Surroundings | 36 |
|--------------|----|

Performance

Unit with standard equipment

Air flow rate (m³/s)

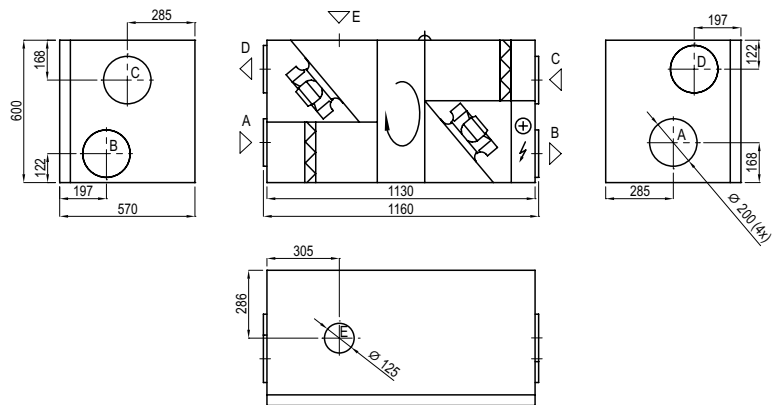


Temperature efficiency

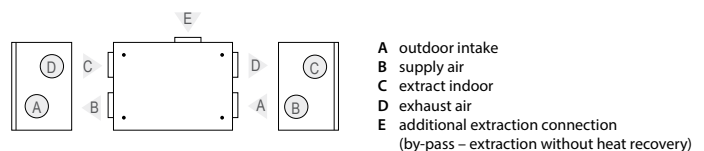
| Outside temperature, °C | Winter | | | | | Summer | | |
|--------------------------|--------|------|------|------|------|--------|------|------|
| | -23 | -15 | -10 | -5 | 0 | 25 | 30 | 35 |
| After heat exchanger, °C | 13,1 | 14,7 | 15,7 | 16,7 | 17,6 | 22,6 | 23,6 | 24,6 |

indoor +22°C, 20 % RH

Shown as right (R1)



Shown as left (L1)



Accessories (p. 108)

| | |
|----------------|------------------------|
| Closing damper | AGUJ-M-200+LF230/LM230 |
| Silencer | A/D AGS-200-50-600-M |
| | B/C AGS-200-50-900-M |
| Water heater | DH-200 |
| PPU | PPU-HW-3R-15-0,63-W1 |

| | |
|----------------------------|----------------------|
| 2-way valve (water heater) | VVP47.10-0,63 |
| Air heater-cooler | DCW-0,7-5 / DHCW-200 |
| 2-way valve (water cooler) | VVP47.15-2,5 |
| DX cooler | DCF-0,7-5 |
| Cooling unit | MOU-18HFN6-KA8243 |