

# Verso R 1000 U/H/V

Nominal air flow, m <sup>3</sup> /h	900
Panel thickness, mm	50
Unit weight, kg	196
Supply voltage HE, V	3~400
Supply voltage HW, V	1~230
Maximal operating current HE, A	7,3
Maximal operating current HW, A	3,3
Filters dimensions BxHxL, mm	800x400x46-M5
Electric power input of the fan drive at maximum flow rate, W	178
Electric air heater capacity, kW / Δt, °C	3 / 9,3
Control panel	C5.1
Maintenance space, mm	800



The photo is intended for informational purposes only, exact details may vary.

### Acoustic data

A-weighted sound power level  $L_{wa}$ , dB(A)  
at nominal flow rate

Supply inlet	58
Supply outlet	72
Exhaust inlet	58
Exhaust outlet	70
Casing	51

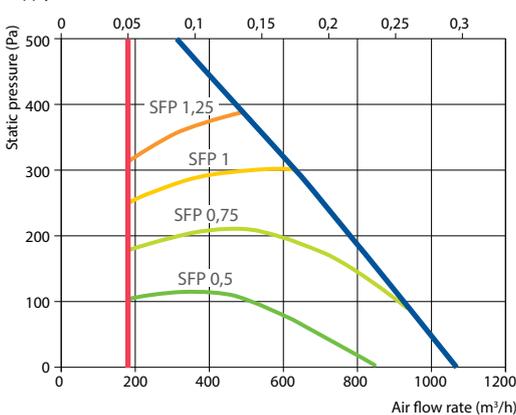
A-weighted sound pressure level  $L_{pa}$ , dB(A)

10 m<sup>2</sup> normally isolated room, distance from casing – 3 m.

Surroundings	41
--------------	----

### Performance (Verso R 1000 UH data)

Supply air filter F7, exhaust air filter M5



### Temperature efficiency

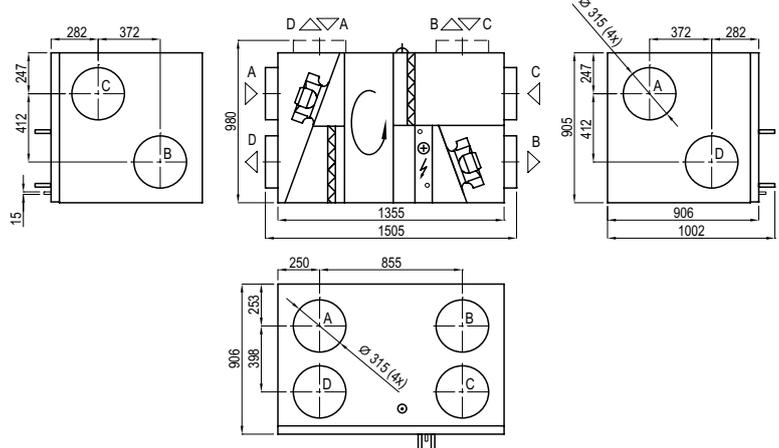
Outside temperature, °C	Winter					Summer		
	-23	-15	-10	-5	0	25	30	35
After heat exchanger, °C	13,9	15,4	16,3	17,2	18,1	22,5	23,4	24,3

indoor +22°C, 10% RH

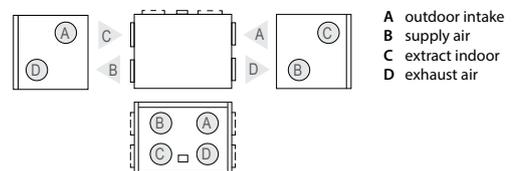
### Changeover water heating/cooling exchanger (HCW)

Water temperature in/out, °C	Winter			Summer
	80/60	70/50	60/40	7/12
Capacity, kW	2,4	2,4	2,4	5,6
Flow rate, dm <sup>3</sup> /h	108	108	107	954
Pressure drop, kPa	1,8	1,9	1,9	24,9
Temperature in/out, °C	13,9/22			24,3/18
Maximal capacity, kW	13,1	10,6	8,1	9,4
Connection, "				½

### Shown as right (R1)



### Shown as left (L1)



- A outdoor intake
- B supply air
- C extract indoor
- D exhaust air

### Accessories (p. 108)

Closing damper	AGUJ-M-315+LF24/LM24
Silencer	A/D AGS-315-100-900-M
	B/C AGS-315-100-1200-M
PPU	PPU-HW-3R-15-0,63-W1
Water heater	DCW-0,9-6
2-way valve	VVP47.15-2,5+SSP61
DX cooler	DCF-0,9-6
Cooling unit	MOU-18HFN6-KA8243