

Domekt CF 700 H

Maximal air flow, m ³ /h	651
Panel thickness, mm	50
Unit weight, kg	115
Supply voltage, V	1~230
Maximal operating current, A	HE 11,7
Thermal efficiency of heat recovery, %	88
Reference flow rate, m ³ /s	0,1266
Reference pressure difference, Pa	50
SPI, W/(m ³ /h)	0,29
Filters dimensions B×H×L, mm	390×300×46-M5
Electric power input of the fan drive at reference flow rate, W	72
Electric power input of the fan drive at maximum flow rate, W	178
Electric air heater capacity, kW / Δt, °C	0,5 / 3,0
Electric preheater capacity, kW / Δt, °C	1,5 / 9,1
Control panel	C6.1 / 6.2
Maintenance space, mm	500



The photo is intended for informational purposes only, exact details may vary.



Acoustic data

A-weighted sound power level L_{WA} , dB(A) at reference flow rate

Supply inlet	47
Supply outlet	67
Exhaust inlet	47
Exhaust outlet	67
Casing	47

A-weighted sound pressure level L_{pA} , dB(A)

10 m² normally isolated room, distance from casing – 3 m.

Surroundings	36
--------------	----

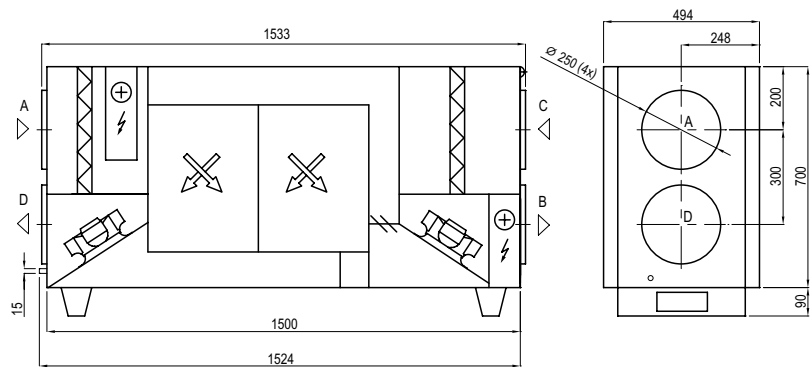
Temperature efficiency

Outside temperature, °C	Winter					Summer		
	-23	-15	-10	-5	0	25	30	35
After heat exchanger*, °C	17,2*	17,7*	18,0*	18,0	18,8	22,4	23,2	23,9

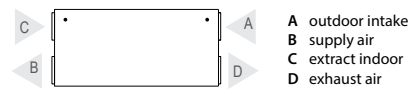
indoor +22°C, 20 % RH

* calculations made after evaluation of the preheater.

Shown as right (R1)

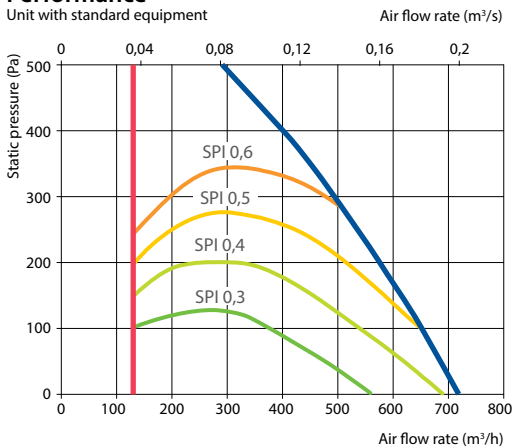


Shown as left (L1)



Performance

Unit with standard equipment



Accessories (p. 108)

Closing damper	AGUJ-M-250+LF230/LM230
Silencer	A/D AGS-250-50-600-M B/C AGS-250-50-900-M
Water heater	DH-250
PPU	PPU-HW-3R-15-0,63-W1

2-way valve (water heater)	VVP47.10-0,63
Air heater-cooler	DCW-0,7-5 / DHCW-250
2-way valve (water cooler)	VVP47.10-2,5
DX cooler	DCF-0,7-5
Cooling unit	MOU-18HFN6-KA8243