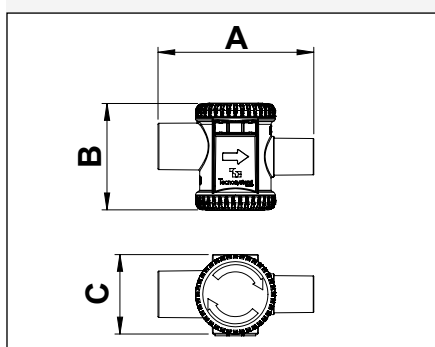


# INSPECTABLE CLEAR ANTI-ODOUR HORIZONTAL DRY SIPHON

## SIPHON STOP 21 / 25 / 32 / 40 / 50

### TECHNICAL FEATURES

- BODY MADE OF HIGH RESISTANCE CLEAR PLASTIC MATERIAL
- CAPS MADE OF POLYETHYLENE WITH SEALING O-RING
- REMOVES THE PROBLEM OF UNPLEASANT ODOURS
- SUITABLE FOR HORIZONTAL WALL OR FALSE CEILING INSTALLATIONS
- DOUBLE INSPECTION FOR CLEANING IN PLACESPIRIT LEVEL SUPPLIED
- AVAILABLE FOR PIPES WITH DIAMETER Ø21 - Ø25 - Ø32 - Ø40 - Ø50



 MADE IN ITALY

# siphon

# Stop

**NEW**



**THE NEW ANTI-ODOUR HORIZONTAL DRY SIPHON "SIPHON STOP" IS A NECESSARY ACCESSORY TO ELIMINATE THE PROBLEM OF UNPLEASANT ODOURS COMING FROM THE CONDENSATE DRAINS. IT IS SUITABLE FOR HORIZONTAL WALL OR FALSE CEILING INSTALLATIONS.**

THE TRANSPARENT BODY OF THE SIPHON IS MADE OF **TRANSPARENT SHOCK-PROOF PLASTIC MATERIAL WHICH ENABLES INTERNAL INSPECTION AND CHECKING OF THE STATE OF CLEANLINESS.** THE TWO CAPS, LOCATED IN THE LOWER AND UPPER PART, ALLOW AN **EASY AND QUICK INSPECTION, WITHOUT DISCONNECTING THE PIPES.**

THE HORIZONTAL DRY SIPHON HAS A FEMALE INLET AND A MALE OUTLET. IT IS **AVAILABLE IN 5 VERSIONS, FOR Ø21- Ø25 - Ø32 - Ø40 - Ø50 PIPES.** THE SIPHON IS THE SOLUTION TO ELIMINATE **UNPLEASANT ODOURS FROM THE CONDENSATE DRAINS.** RECOMMENDED FOR RESIDENTIAL, COMMERCIAL AND INDUSTRY INSTALLATIONS.

**PATENTED MODEL**

UPPER INSPECTABLE CAP

SEALING GASKET

INLET

CLEAR PLASTIC MATERIAL HIGH RESISTANCE

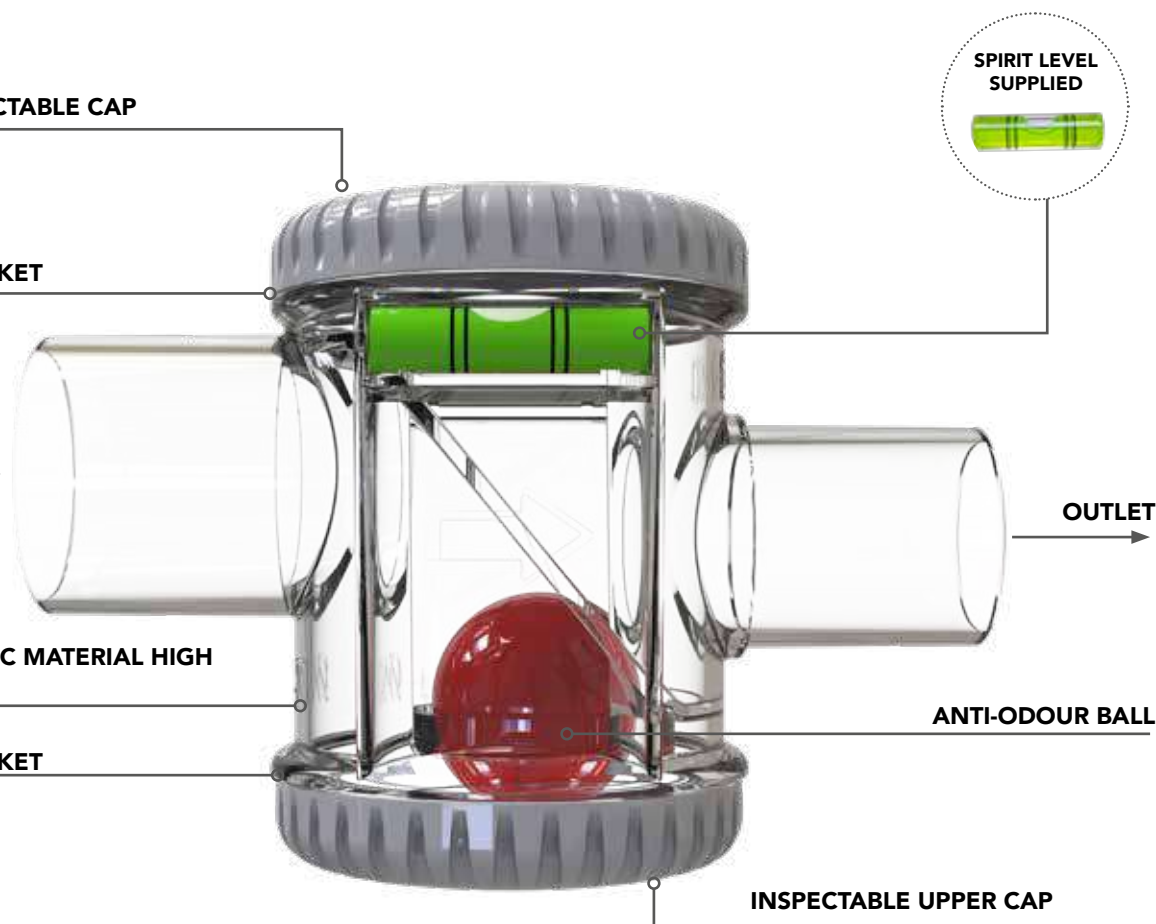
SEALING GASKET

SPIRIT LEVEL SUPPLIED

ANTI-ODOUR BALL

OUTLET

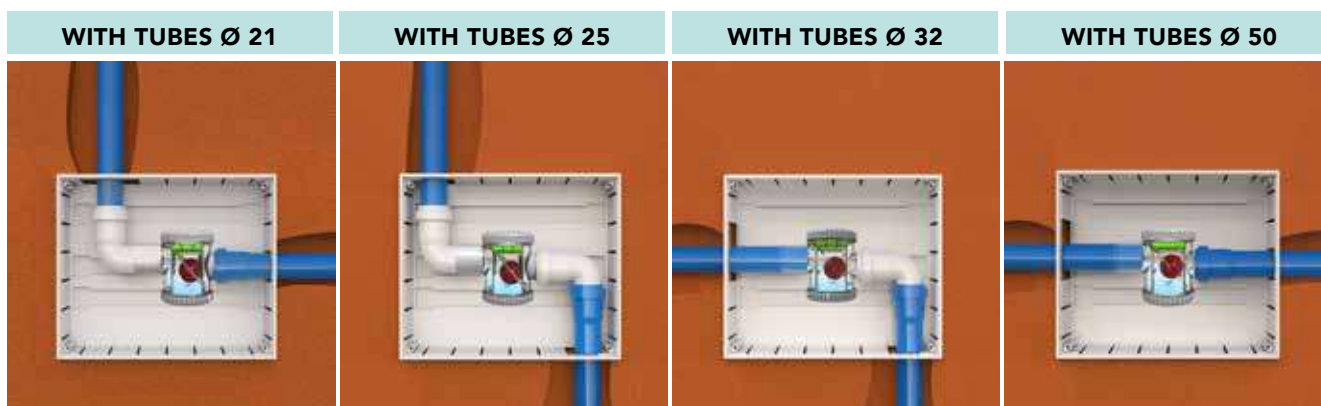
INSPECTABLE UPPER CAP



**EXAMPLE: FEMALE COUPLING - MALE OUTLET FOR PIPES Ø 21-25-32**



**EXAMPLE: FEMALE COUPLING - MALE CUP OUTLET WITH GASKETS FOR PIPES Ø 40-50**



**AVAILABLE FROM APRIL 2021**

CODE	DESCRIPTION	DIMENSIONS (mm)			COUPLING FOR PIPE
		A	B	C	
SCD300004	CLEAR ANTI-ODOUR HORIZONTAL DRY SYPHON INSPECTABLE SIPHON STOP 21	124	105	78	Ø21
SCD300005	CLEAR ANTI-ODOUR HORIZONTAL DRY SYPHON INSPECTABLE SIPHON STOP 25	133	105	78	Ø25
SCD300006	CLEAR ANTI-ODOUR HORIZONTAL DRY SYPHON INSPECTABLE SIPHON STOP 32	143	105	78	Ø32
SCD300007	CLEAR ANTI-ODOUR HORIZONTAL DRY SYPHON INSPECTABLE SIPHON STOP 40	153	105	78	Ø40
SCD300014	CLEAR ANTI-ODOUR HORIZONTAL DRY SYPHON INSPECTABLE SIPHON STOP 50	163	105	78	Ø50