

# MXG 638

EXTREME

**Scotsman**  
Ice Systems

## Modular Ice Machine up to 340 kg

Item #:

Project:

Quantity:



### FEATURES

- Individual transparent solid cube: each single cube is an artwork: crystal clear and perfectly shaped, faithful to the Scotsman tradition.
- Global standard footprint: strictly follows international imperial standard commonly adopted in the industry of reference.
- Agion: the technology that makes products cleaner and longer lasting with built-in protection working 24/7 to resist the growth of microbes and the development of unpleasant odors.
- Electronic control: ambient and water temperatures may change throughout the years but your ice will stay the same.
- External indicator lights: keeps ice maker's operations under constant surveillance.
- Front access condenser air filter: a do-it-yourself cleaning operation that saves time and money and makes your ice maker live longer.
- Clean alert: advises with a blink when it's time to clean the filter.



MXG XL 638  
Extra Large Gourmet 60 g  
Ø 44 x H 46 mm



MXG L 638  
Large Gourmet 39 g  
Ø 38 x H 41 mm



MXG M 638  
Medium Gourmet 20 g  
Ø 30 x H 34 mm

### CONDENSING SYSTEM

Air cooled  
Remote condenser  
Water cooled

### REFRIGERANT GAS

R404A

### VOLTAGE V/Hz/ph

230/50/1  
230/60/1  
400/50/3N

### RECOMMENDED BINS

Head	Bins		kg
MXG 638	✓	SB393	181
	✓	SB530	243
	BINTOPMKG5B55	SB550	252
	CBT48EAMCD	SB948	406
	CBT52EAMCD	SB1025	478
	●	UBH1600	812
●	SIS1350	613 + 73 + 73	

### LEGEND:

- ✓ : Perfect combination between ice maker and bin
- : Ice chute cut-out performed upon installation
- CBTxxxxxxx : need additional bin top

Certifications:



### OPERATING REQUIREMENTS

	Minimum	Maximum
Air temperature	10°C	43°C
Water temperature	5°C	38°C
Water pressure	1 bar (14 psi)	5 bar (70 psi)
Electrical voltage	-10%	+10%

### IMPORTANT NOTICE:

Models and specifications are subject to change without notice. This spec sheet is meant for commercial purpose only. For technical documentation please refer to our service manuals.

Download our free **App Scotsman Ice**  
 Apple store  
 Google play  
 Windows store



[www.scotsman-ice.it](http://www.scotsman-ice.it)  
[www.scotsman-ice.com](http://www.scotsman-ice.com)

Modular Ice Machine up to 340 kg

# MXG 638

EXTREME

**Scotsman**  
Ice Systems

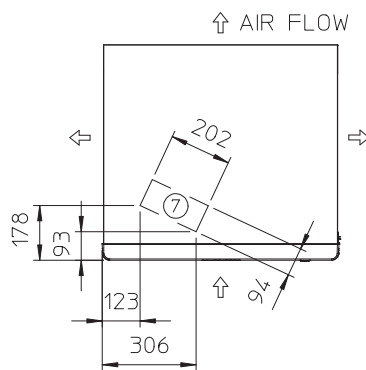
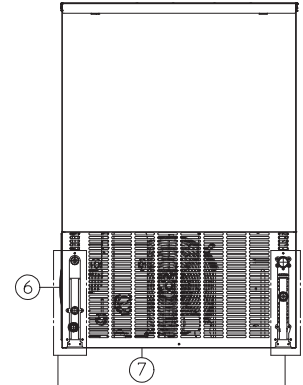
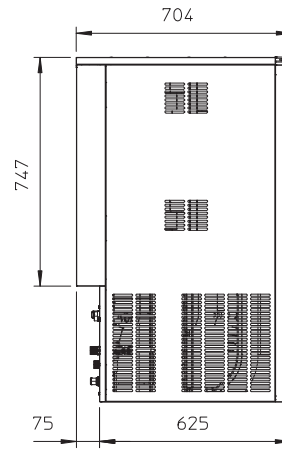
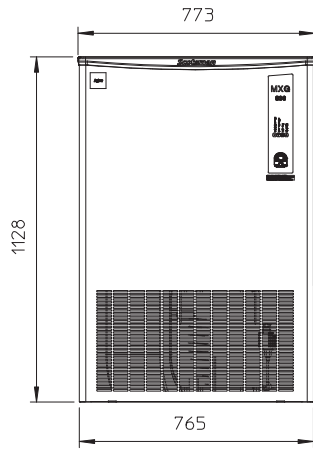
## Modular Ice Machine up to 340 kg

Item #:

Project:

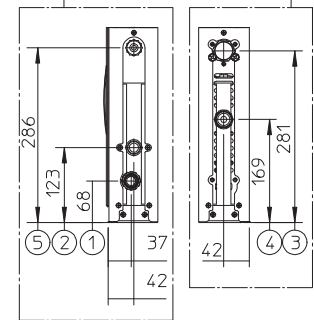
Quantity:

Modular Ice Machine up to 340 kg



UNIT OF MEASUREMENT: mm

1. 13/16" OD - OVERFLOW DRAIN
2. 3/4" GAS - WATER INLET
3. 3/4" GAS - WATER OUTLET  
WATER COOLED UNIT ONLY
4. 3/4" GAS - WATER INLET  
WATER COOLED UNIT ONLY
5. CORD SET
6. CLEANING AIR FILTER
7. ICE DROP AREA



UNIT DATA	Compressor				Circuit wires		Max. fuse size
	Version	Voltage	Btu/h	W	No.	Ømm <sup>2</sup>	A
Size (W x D x H)	773 x 704 x 1128 mm						
Net weight	116 kg						
SHIPPING DATA	Version	Voltage	Btu/h	W	No.	Ømm <sup>2</sup>	Max. fuse size
	MXG L 638 AS	230/50/1	25250	7400	3	2.5	20
	MXG L 638 AS	400/50/3N	24909	7300	5	1.5	20
	MXG L 638 AS	230/60/1	18767	5500	3	2.5	24
	MXG M 638 AS	230/50/1	25250	7400	3	2.5	20
	MXG M 638 AS	400/50/3N	24909	7300	5	1.5	20
	MXG M 638 AS	230/60/1	18767	5500	3	2.5	25
	MXG XL 638 AS	230/50/1	25250	7400	3	2.5	20
	MXG M 638 ASR	400/50/3N	24909	7300	5	2.5	20
	MXG L 638 WS	230/50/1	25250	7400	3	2.5	20
MXG M 638 WS	230/50/1	25250	7400	3	2.5	20	
MXG M 638 WS	400/50/3N	24909	7300	5	1.5	20	

Version	Condensation	Voltage	24 h ice production kg °C Amb. / °C Water			Energy consumption*		Water usage*	Instant power
			10°C/10°C	21°C/10°C	32°C/21°C	kWh/100 kg	kWh/24h	l/h	W
MXG L 638 AS	Air	230/50/1	290	285	230	21.5	49.5	27.9	2500
MXG L 638 AS	Air	400/50/3N	290	285	230	22.0	50.5	27.5	2850
MXG L 638 AS	Air	230/60/1	320	285	230	21.7	52.0	29.2	2900
MXG M 638 AS	Air	230/50/1	330	310	220	23.2	51.0	22.9	2500
MXG M 638 AS	Air	400/50/3N	330	310	220	23.6	52.0	27.9	2800
MXG M 638 AS	Air	230/60/1	330	310	220	26.4	58.0	33.3	3000
MXG XL 638 AS	Air	230/50/1	260	260	210	24.8	52.0	75.0	2800
MXG M 638 ASR	Remote	400/50/3N	330	310	220	23.6	52.0	27.9	2800
MXG L 638 WS	Water	230/50/1	290	285	250	19.8	45.5	200.0	2100
MXG M 638 WS	Water	230/50/1	340	325	290	16.6	48.0	225.0	2200
MXG M 638 WS	Water	400/50/3N	340	325	290	16.4	47.5	250.0	2200

(\*) Data refer to 32°C Amb. / 21°C Water temperature conditions