

# AF 156

## Self Contained Ice Machine up to 160 kg

Item #:
Project:
Quantity:



### FEATURES

- Produces granular shape ice flakes, 75% hardness. Ice scoop holder safely positioned in ice-storage bin.
- Resistant stainless steel exterior.
- Advanced diagnostics computerized control.
- Front panel in & out airflow (air-cooled model only) for built-in installation.
- Front access condenser air filter, removable and washable (air cooled version).
- Easily accessible, front panel mount, ON-OFF Switch.
- Easy, front panel access to technical / service area of the machine. Routine maintenance visible alarm light on front panel.
- Ergonomically designed ice storage access, with disappearing door. Door-closing movement dampening system.



AF 156  
Flake ice  
Residual water content 25%

### CONDENSING SYSTEM

Air cooled  
Water cooled

### INTERNAL BIN CAPACITY

60 kg

### REFRIGERANT GAS

R404A

### OPERATING REQUIREMENTS

	Minimum	Maximum
Air temperature	10°C	43°C
Water temperature	5°C	38°C
Water pressure	1 bar (14 psi)	5 bar (70 psi)
Electrical voltage	-10%	+10%

### VOLTAGE V/Hz/ph

230/50/1  
230/60/1

Certifications:



**IMPORTANT NOTICE:**  
Models and specifications are subject to change without notice. This spec sheet is meant for commercial purpose only. For technical documentation please refer to our service manuals.

Download our free App Scotsman Ice  
Apple store  
Google play  
Windows store



[www.scotsman-ice.it](http://www.scotsman-ice.it)  
[www.scotsman-ice.com](http://www.scotsman-ice.com)

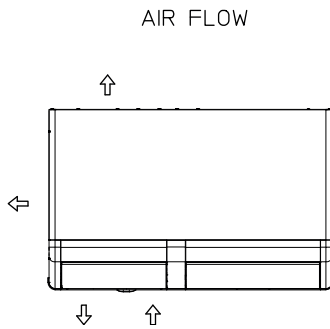
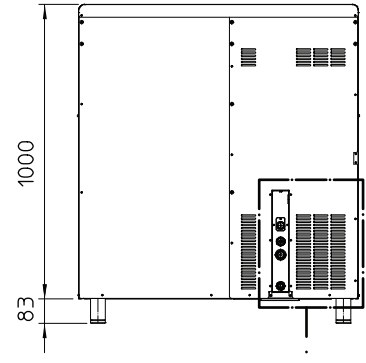
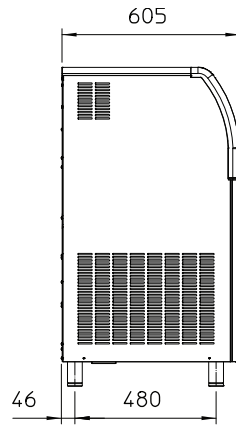
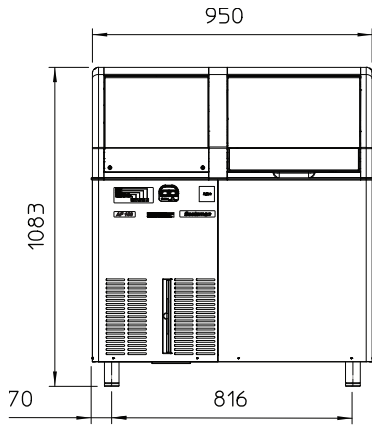
Self Contained Ice Machine up to 160 kg

# AF 156

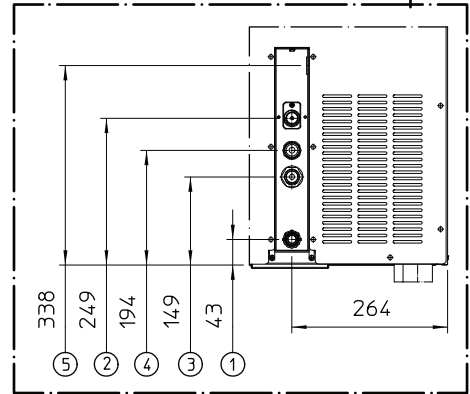
## Self Contained Ice Machine up to 160 kg

Item #:
Project:
Quantity:

Self Contained Ice Machine up to 160 kg



- UNIT OF MEASUREMENT: mm
- 25/32" - OVERFLOW DRAIN
  - 3/4" GAS - WATER INLET
  - 3/4" GAS - WATER OUTLET  
WATER COOLED UNIT ONLY
  - 3/4" GAS - WATER INLET  
WATER COOLED UNIT ONLY
  - CORD SET



UNIT DATA		Compressor		Circuit wires		Max. fuse size		
		Version	Voltage	Btu/h	W	No.	Ømm <sup>2</sup>	A
Size (W x D x H)	950 x 605 x 1083 mm	AF 156 AS	230/50/1	4845	1420	3	1.5	10
Net weight	75 kg	AF 156 AS	230/60/1	4845	1420	3	1.5	10
SHIPPING DATA		AF 156 WS	230/50/1	4845	1420	3	1.5	10
		AF 156 WS	230/60/1	4845	1420	3	1.5	10
Carton (W x D x H)	1030 x 680 x 1170 mm							
Weight	88 kg							

Version	Condensation	Voltage	24 h ice production kg °C Amb. / °C Water			Energy consumption*		Water usage*	Instant power
			10°C/10°C	21°C/10°C	32°C/21°C	kWh/100 kg	kWh/24h	l/h	W
AF 156 AS	Air	230/50/1	150	148	120	11.5	13.8	5.0	575
AF 156 AS	Air	230/60/1	150	148	120	11.5	13.8	5.0	575
AF 156 WS	Water	230/50/1	160	156	140	9.0	12.5	76.3	510
AF 156 WS	Water	230/60/1	160	156	140	9.0	12.5	76.3	510

(\*) Data refer to 32°C Amb. / 21°C Water temperature conditions