

# MAR 56

## Modular Ice Machine up to 400 kg

Item #:
Project:
Quantity:



### FEATURES

- Scale ice machine, in "compact system" version; built-in unit. Storage bin not supplied, to be purchased separately.
- AISI304 Stainless steel evaporator and ice scraper blade. Redesigned evaporator compartment end-walls.
- Foodgrade ABS plastic water sump tray, easy remove for cleaning and sanitising.
- Electromechanical control panel. Electrical protections, rotation speed & reverse phase controls.
- Low- water sensor protection. Hermetic compressor. Storage bin thermostatic ice level sensor
- Drive motor / gear reducer with V-Belt drive.
- Stainless steel panels in scotch-brite finish, with rounded corners, easy to remove for maintenance.
- ON/OFF manual switch, with weekly programmable timer.



MAR 56  
Scale ice  
Residual water content 2%  
Thickness 1 or 2 mm

### CONDENSING SYSTEM

Air cooled  
Water cooled

### REFRIGERANT GAS

R404A

### VOLTAGE V/Hz/ph

380/60/3N  
400/50/3N  
400/60/3N

### RECOMMENDED BINS

Head	Bins		kg
	Bin	kg	
MAR 56	● UBH1100	553	
	● UBH1600	812	
	● UBH2250	1068	
	● SIS300	137 + 73	
	● SIS700	318 + 73	
	● SIS1350	613 + 73 + 73	

### LEGEND:

- ✓ : Perfect combination between ice maker and bin
- : Ice chute cut-out performed upon installation
- CBTxxxxxxx : need additional bin top

Certifications:



### OPERATING REQUIREMENTS

	Minimum	Maximum
Air temperature	10°C	43°C
Water temperature	5°C	38°C
Water pressure	1 bar (14 psi)	5 bar (70 psi)
Electrical voltage	-10%	+10%

**IMPORTANT NOTICE:**  
Models and specifications are subject to change without notice. This spec sheet is meant for commercial purpose only. For technical documentation please refer to our service manuals.

Download our free **App Scotsman Ice**  
Apple store  
Google play  
Windows store



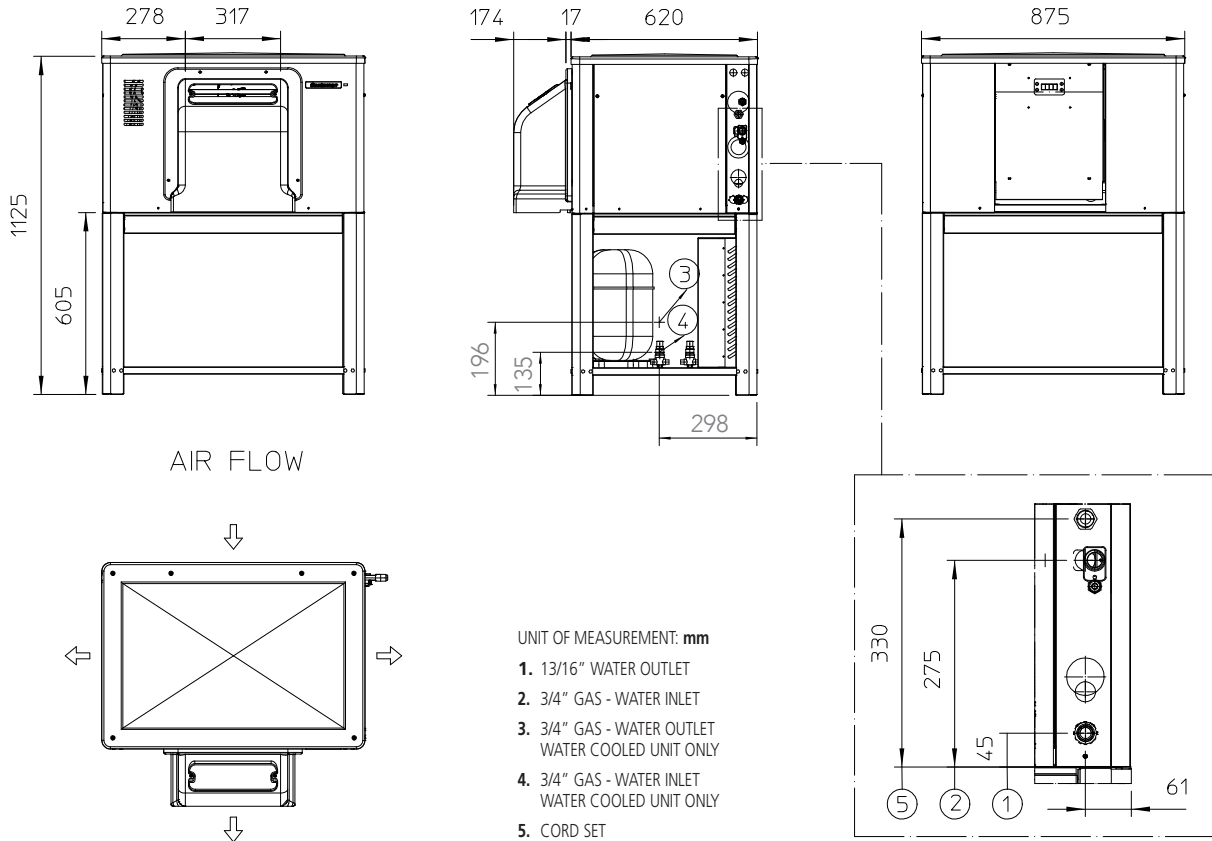
[www.scotsman-ice.it](http://www.scotsman-ice.it)  
[www.scotsman-ice.com](http://www.scotsman-ice.com)

Modular Ice Machine up to 400 kg

# MAR 56

## Modular Ice Machine up to 400 kg

Item #:
Project:
Quantity:



Modular Ice Machine up to 400 kg

UNIT DATA			Cooling Requirements (Te -23.3°C; Tc +54.5°C)				Circuit wires		Max. fuse size			
			Version	Voltage	Btu/h	W	No.	Ømm <sup>2</sup>	A			
Size (W x D x H)	906 x 636 x 1125 mm		MAR 56 AS	400/50/3N	7677	2250	5	2.5	16			
Net weight	156 kg		MAR 56 AS	380/60/3N	5971	1750	??	2.0	16			
SHIPPING DATA			MAR 56 AS	400/60/3N	7677	2250	5	2.5	16			
			MAR 56 WS	400/50/3N	7677	2250	5	2.5	16			
Carton (W x D x H)	980 x 740 x 1230 mm											
Weight	173 kg											
			24 h ice production kg °C Amb. / °C Water						Energy consumption (*)		Water usage(*)	Instant power
Version	Condensation	Voltage	10°C/10°C		21°C/10°C		32°C/21°C		kWh/100 kg	kWh/24h	l/h	W
			1 mm	2 mm	1 mm	2 mm	1 mm	2 mm				
MAR 56 AS	Air	400/50/3N	380	342	365	329	300	270	20.0	60.0	16.7	2200
MAR 56 AS	Air	380/60/3N							12.8	45.5	15.6	2050
MAR 56 AS	Air	400/60/3N	380	342	365	329	300	270	20.0	60.0	16.7	2200
MAR 56 WS	Water	400/50/3N	400	360	385	347	360	324	16.7	60.0	300.0	2500

(\*) Data refer to 32°C Amb. / 21°C Water temperature conditions