

Service Manual

Air Conditioner



Model No.	CU-TE20TKE	CU-BE25TKE
	CU-TE25TKE	CU-BE35TKE
	CU-TE35TKE	CU-BE50TKE
	CU-TZ20TKE	CU-TE42TKE
	CU-TZ25TKE	CU-TZ42TKE
	CU-TZ35TKE	CU-TZ50TKE

Subject : Correction of Outdoor Space Necessary for Installation Dimensions

Please file and use this supplement manual together with the service manual for Model No. CS-BE25TKE / CU-BE25TKE, CS-BE35TKE / CU-BE35TKE, CS-BE50TKE / CU-BE50TKE, CS-TE20TKEW / CU-TE20TKE, CS-TE25TKEW / CU-TE25TKE, CS-TE35TKEW / CU-TE35TKE, CS-TE42TKEW / CU-TE42TKE, CS-TZ20TKEW / CU-TZ20TKE, CS-TZ25TKEW / CU-TZ25TKE, CS-TZ35TKEW / CU-TZ35TKE, CS-TZ42TKEW / CU-TZ42TKE, CS-TZ50TKEW / CU-TZ50TKE, Order No. PAPAMY1703047CE, PAPAMY1703052CE, PAPAMY1702032CE, PAPAMY1703046CE.

WARNING

This service information is designed for experienced repair technicians only and is not designed for use by the general public. It does not contain warnings or cautions to advise non-technical individuals of potential dangers in attempting to service a product. Products powered by electricity should be serviced or repaired only by experienced professional technicians. Any attempt to service or repair the products dealt with in this service information by anyone else could result in serious injury or death.

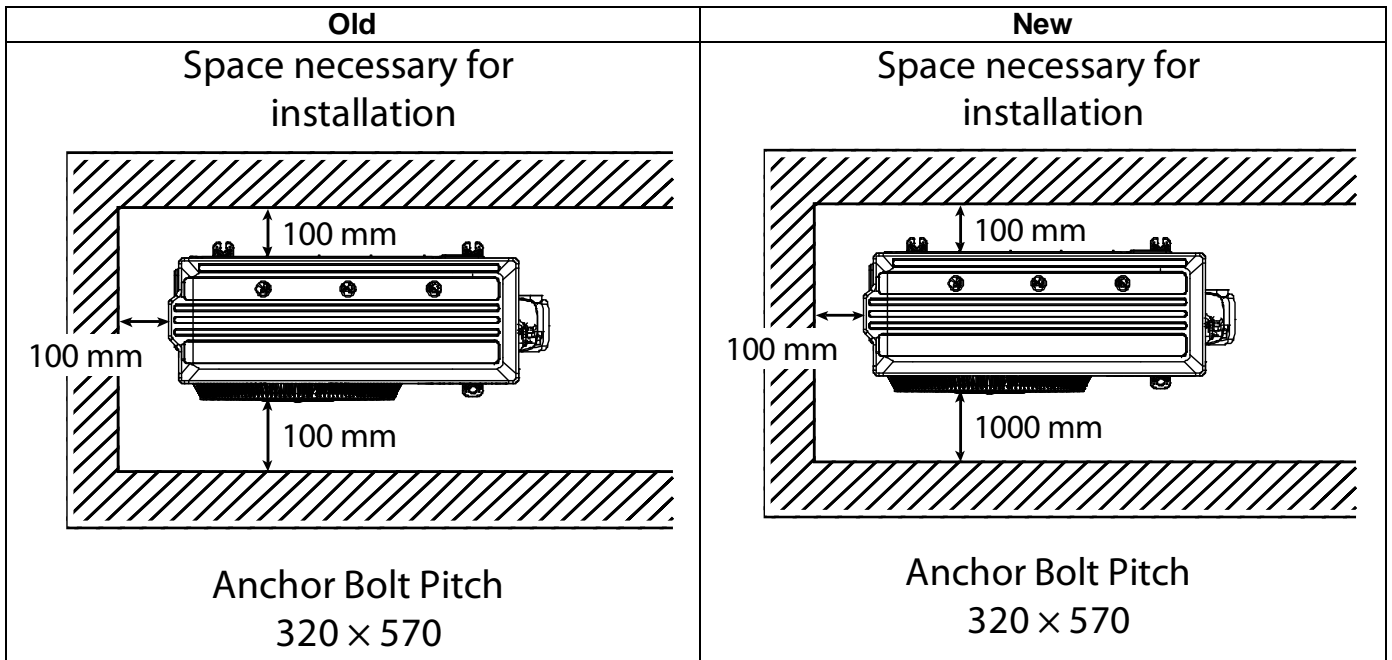
TABLE OF CONTENTS

1	Dimensions.....	2
1.1	Outdoor Unit.....	2 - 3

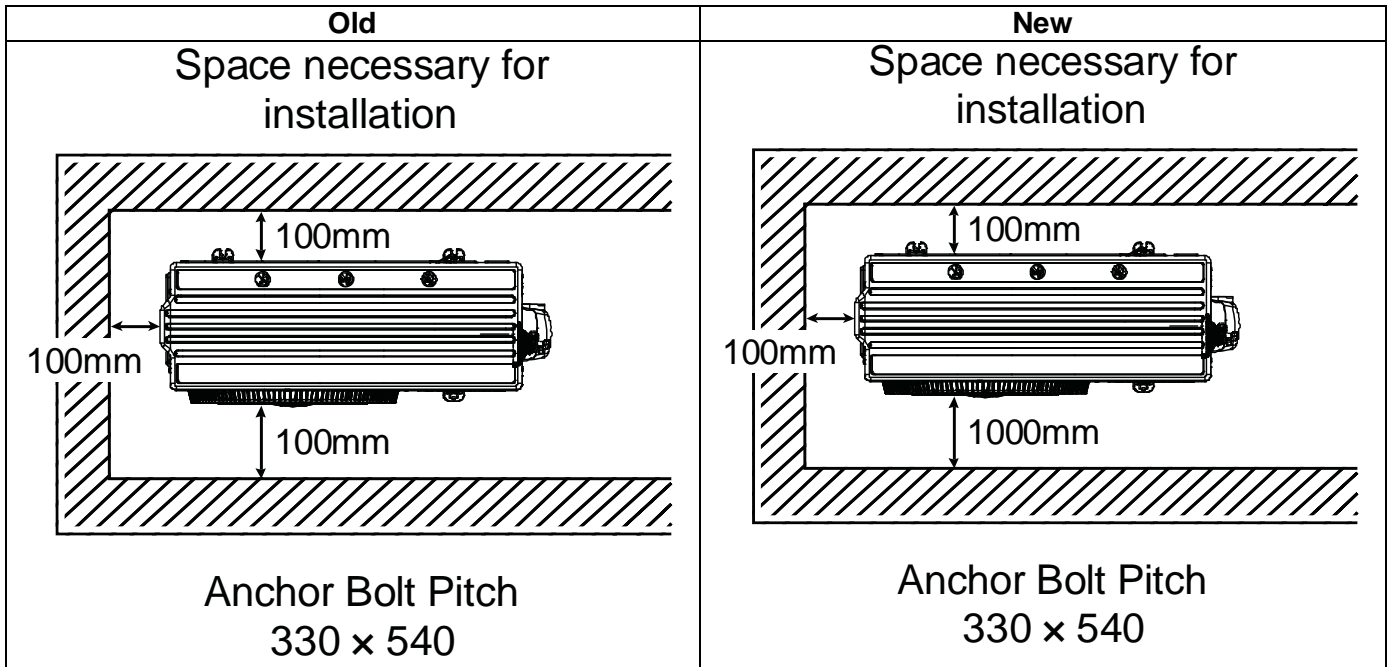
1 Dimensions

1.1 Outdoor Unit

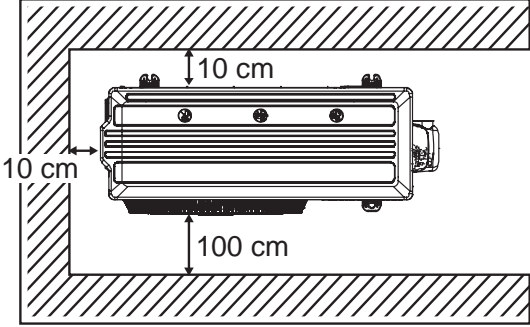
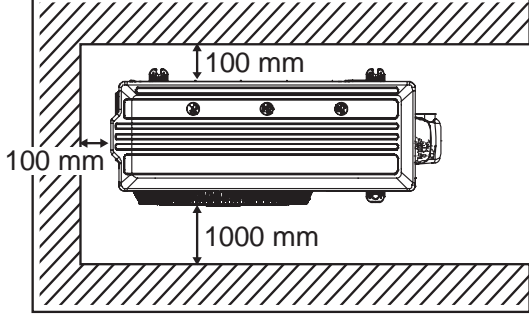
1.1.1 CU-BE25TKE CU-BE35TKE



1.1.2 CU-BE50TKE CU-TE42TKE CU-TZ42TKE CU-TZ50TKE



1.1.3 CU-TE20TKE CU-TE25TKE CU-TE35TKE CU-TZ20TKE CU-TZ25TKE CU-TZ35TKE

Old	New
<p style="text-align: center;">Space necessary for installation</p>  <p style="text-align: center;">Anchor Bolt Pitch 320 x 570</p>	<p style="text-align: center;">Space necessary for installation</p>  <p style="text-align: center;">Anchor Bolt Pitch 320 x 570</p>

Printed in Malaysia