

DATASHEET

rev. 00 - 15/12/2022

MADE IN ITALY

MICHELANGELO - SM

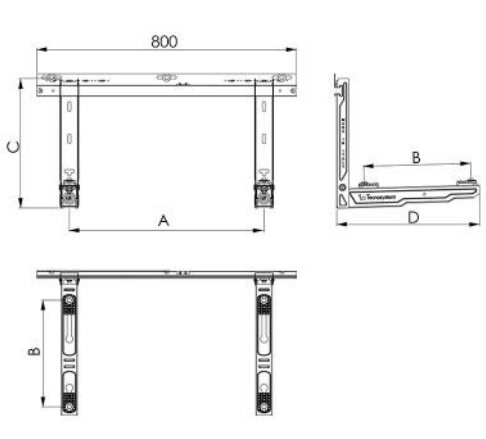
staffa con barra graduata grigio antracite

SCD500205 - SCD500206 - SCD500207
SCD500208



TECHNICAL SPECIFICATIONS:

- Electrogalvanised sheet
- External polyester painting
- Graduated wall bracket with spirit level included
- Adjustable rear swivel feet
- Ready for condensate drain pan
- "NO-SHOCK" vibration dampers supplied
- Wall mounting fixing plugs
- Pre-assembled bracket



DIMENSIONS

CODE	A [mm]	B [mm]	C [mm]	D [mm]	LOAD CAPACITY [kg]
SCD500205	350/750	180/330	400	440	110
SCD500206	350/750	230/390	400	500	130
SCD500207	350/750	270/450	400	560	150
SCD500208	350/750	340/540	400	650	150

ITEMS

CODE	DESCRIPTION
SCD500205	WALL BRACKET "MICHELANGELO" - 440L - RAL 7016 GREY ANTHRACITE
SCD500206	WALL BRACKET "MICHELANGELO" - 500L - RAL 7016 GREY ANTHRACITE
SCD500207	WALL BRACKET "MICHELANGELO" - 560L - RAL 7016 GREY ANTHRACITE
SCD500208	WALL BRACKET "MICHELANGELO" - 650L - RAL 7016 GREY ANTHRACITE