

ROBOCAL Automatic air vents

5024 - 5025 - 5026 - 5027 series



01033/14 GB
replaces 01033/03 GB



Function

These automatic air vents eliminate residual air in heating and air conditioning systems without the need for manual intervention. This prevents undesired noise, wear of devices in the circuits and inefficient performance of heating units.



Product range

- Series 5024 Automatic air vent with horizontal discharge _____ Sizes 1/4" and 3/8" M
- Series 5025 Automatic air vent with horizontal discharge and automatic shut-off cock _____ Size 3/8" M
- Series 5026 Automatic air vent with vertical discharge _____ Sizes 3/8" and 1/2" M
- Series 5027 Automatic air vent with vertical discharge and automatic shut-off cock _____ Size 3/8" M

Technical specification

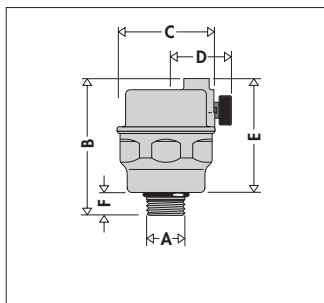
Materials:

Body and cover: brass EN 12165 CW617N
 Float: PP
 Obturator: silicone rubber
 Spring: stainless steel EN 10270-3/1.4310 NS (AISI 302)
 Seals: EPDM
 Seals on shut-off cock: PTFE

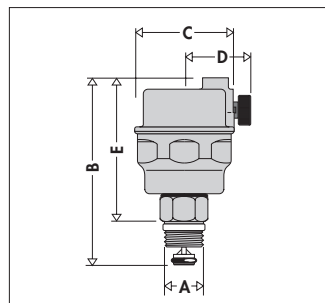
Performance:

Medium: water, glycol solutions
 Max. percentage of glycol: 30%
 Max. working pressure: 10 bar
 Max. discharge pressure: 5024, 5025: 4 bar
 5026, 5027: 6 bar
 Max. working temperature: 5024, 5026: 115°C
 5025, 5027: 110°C

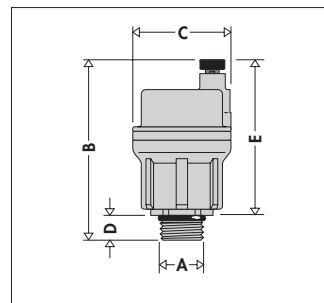
Dimensions



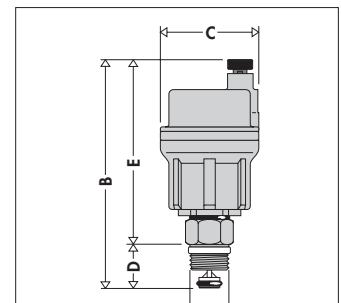
Code	A	B	C	D	E	F	Weight (kg)
502420	1/4"	55	∅ 40	25	45	10	0,140
502430	3/8"	55	∅ 40	25	45	10	0,147



Code	A	B	C	D	E	Weight (kg)
502530	3/8"	72	∅ 40	25	57	0,167

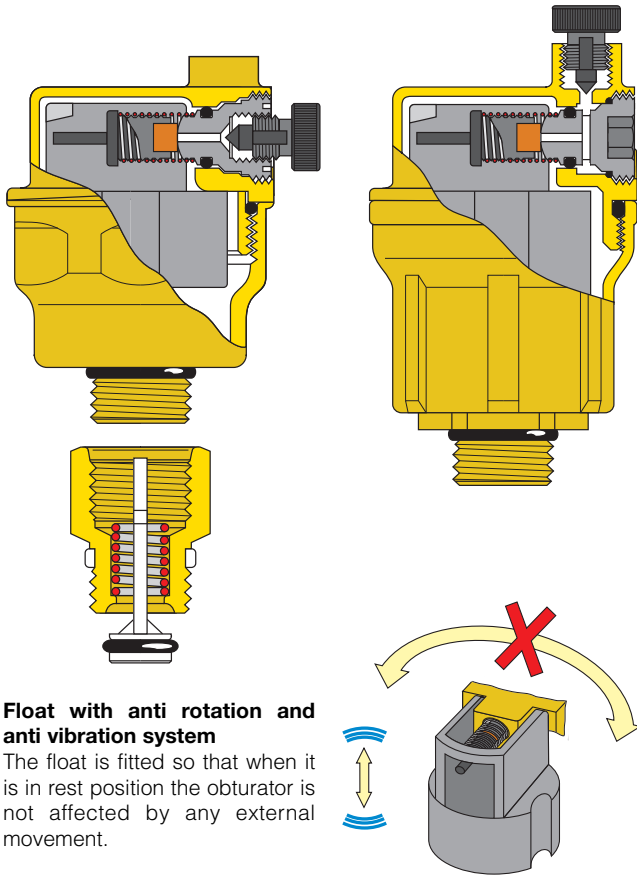


Code	A	B	C	D	E	Weight (kg)
502630	3/8"	77	∅ 40	10	67	0,155
502640	1/2"	77	∅ 40	10	67	0,160



Code	A	B	C	D	E	Weight (kg)
502730	3/8"	101	∅ 40	19	82	0,175

Constructional details



Float with anti rotation and anti vibration system

The float is fitted so that when it is in rest position the obturator is not affected by any external movement.

"Dry" obturator

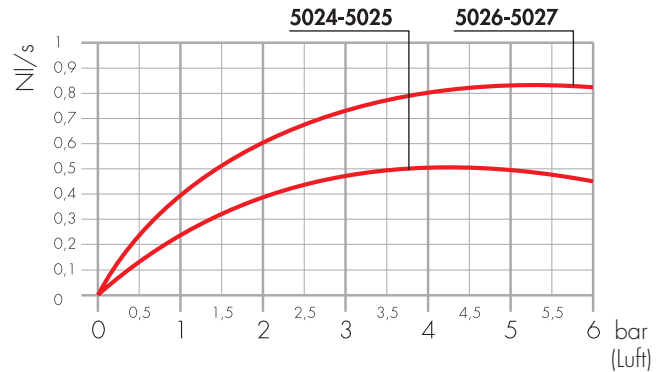
The positioning of the float and the internal parts is such that the water never reaches the obturator itself. This prevents faults caused by the infiltration of impurities present in the fluid.

Version with shut-off cock

The automatic shut-off cock makes maintenance and inspection of the air vent easier by shutting off the flow of water when the valve has been removed. O-Rings in EPDM ensure a good seal with the valve body.

Fluid dynamic characteristics

Air flow (when filling the system)



Installation

- Air is vented from the system by turning the plug on the air outlet anticlockwise by one complete turn from the fully closed position. Air is automatically vented if the cap is kept in this position.
- It is recommended that the air vents are not fitted in places difficult to inspect and at risk of freezing.

Accessories

- Shut-off valves 561 series are available for the 3/8" and 1/2" sizes.
- The anti-vacuum valve code 562200, is available for all air vents in the ROBOCAL series.



SPECIFICATION SUMMARIES

5024 series

Automatic air vent. 1/4" M (or 3/8" M) threaded connection. Body and cover in brass. Obturator in silicone rubber. Maximum working temperature 115°C. Maximum working pressure 10 bar. Maximum discharge pressure 4 bar. Float with anti rotation and anti vibration system. Horizontal discharge.

5025 series

Automatic air vent complete with automatic shut-off cock. Threaded connection 3/8" M. Body and cover in brass. Obturator in silicone rubber. Maximum working temperature 110°C. Maximum working pressure 10 bar. Maximum discharge pressure 4 bar. Float with anti rotation and anti vibration system. Horizontal discharge.

5026 series

Automatic air vent. Threaded connection 3/8" M (o 1/2" M). Body and cover in brass. Obturator in silicone rubber. Maximum working temperature 115°C. Maximum working pressure 10 bar. Maximum discharge pressure 6 bar. Float with anti rotation and anti vibration system. Vertical discharge.

5027 series

Automatic air vent complete with automatic shut-off cock. Threaded connection 3/8" M. Body and cover in brass. Obturator in silicone rubber. Maximum working temperature 110°C. Maximum working pressure 10 bar. Maximum discharge pressure 6 bar. Float with anti rotation and anti vibration system. Vertical discharge.

We reserve the right to make changes and improvements to the products and related data in this publication, at any time and without prior notice.