

Advancing Building Methods



AIREX
PROSYSTEMKIT
Complete Sustainable HVAC & Building Performance

2 IN
System

**Engineered
Wall Seal**

**&
Superior
Insulation
Protection**

Central
Installs

Mini-Split
Installs

**BEST OF IBS
AWARDS**

**FINALIST
BEST ENERGY
EFFICIENT
PRODUCT**



MADE IN USA

About Airex Manufacturing, Inc.

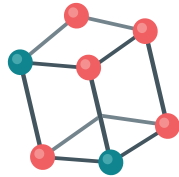
Our focus is designing and engineering evolutionary products for contractors, architects, engineers, designers, and specifiers to fulfill the ongoing evolution of market demand and building energy efficiency code requirements.

Incorporated in 2009 and based in Southern California we are a proud U.S. Manufacturer of innovative patented products for the Building and HVAC Industries.

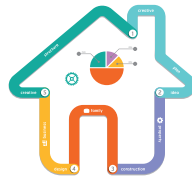
All of our superior products have been innovated through intense engineering, smart design, premium material selection, and rigorous laboratory testing. We are now the #1 Choice in the PRO-HVAC industry within the wall refrigerant piping penetration outlet seal and outdoor refrigerant piping insulation protection categories.



Innovation



Evolution



Building Science



Smart Design



American Made

**BEST OF IBS
AWARDS**

**FINALIST
BEST ENERGY
EFFICIENT
PRODUCT**



Please, visit our website for product information, inquires, specifications, brochures, CAD drawings.

www.airexmfg.com

Product Line



Engineered Wall Seal & Insulation Protection System!

The Airex Pro-System Kit is a 2-In-1 system that combines a wall-mounted HVAC piping outlet and air-tight seal with a piping insulation protector and UV Vapor Retarder for exterior application of refrigerant piping wall penetrations and outdoor insulation.



TGS Series



TSS Series



Air Leakage Wall Seal, Protect Indoor Air Quality!

The Titan Outlet is the engineered solution for wall sealing HVAC refrigerant line penetrations featuring a weather and air leakage resistant, vibration control, rodent proof, wall enclosure system, and has become the preferred industry leader.



TGS Series



TSS Series

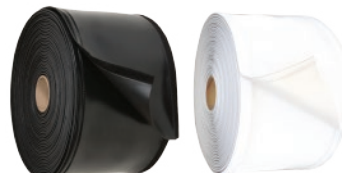


UV Weather Protector and Vapor Retarder (All-In-One)!

The E-Flex Guard is an Insulation Protector for HVAC Piping on Outdoor applications that complies with mandatory requirements where adhesive tapes are no longer allowed by code, and as specifically prescribed by the new Building/Residential/Energy Codes. Engineered PVC Material is UV/Weather Resistant and a Class II Vapor Retarder to comply with new energy codes, and sustainably protects outdoor pipe insulation.



72 Series



750 Series



90 Series

Typical Installations Guaranteed to Fail

Makeshift Methods Are Guaranteed to Fail



- ❌ Building Damage
- ❌ Unhealthy Indoor Air
- ❌ Energy Loss
- ❌ Rodent Intrusion
- ❌ Unprofessional, Ugly Installation

Airex Manufacturing-Superior Installation



Sustainable Solution Professionally Engineered



- ✓ Pipe Vibration Control
- ✓ Airtight Seal
- ✓ Sustainable Energy Savings

- ✓ Rodent Proof
- ✓ Aesthetic Installation



Seals HVAC Piping Wall Penetrations



Product Summary

The TITAN OUTLET™ is the engineered solution for wall sealing HVAC penetrations featuring a wall enclosure system that is weather and air leakage resistant, controls vibration, is rodent proof, and has become the preferred industry leader.

Air Leakage Wall Seal, Protect Indoor Air Quality!

- Meets mandatory Building Codes, Energy, Residential, Mechanical, and Green Codes
- Made in The USA
- Superior durable quality with UV/resistance and high impact strength design
- Gasket Compression System Seals Wall Air Leakage and Weather Moisture Wall Damage
- Flexible elastomeric outlet sleeve design offers, anti-wind, anti-rodent features
- Design supports HVAC systems with wall isolation & anti-vibration features
- Flexible Sleeve Reduces Piping Vibration and Noise

AIREX TITAN OUTLET™ – Professionally Engineered and with an Architectural aesthetic finish design, features a Wall Outlet Enclosure with excellent weather proofing capabilities that fits over and seals around wall surface piping penetrations, utilizing elastomeric gaskets and seals, as required by building, energy, and mechanical codes. AIREX TITAN OUTLET™ prevents wall gaps and exterior surface cracks associated with the use of rigid wall penetration sleeves or rigid penetration flashing materials. Featuring a combined fastener and gasket/seal applied compression-force system that accomplishes simultaneous, solid, internal wall structure attachment and all-surface wall gasket mounting for long-term sustainable and effective air leakage sealing.

An integral over-molded Flexible Elastomeric Sleeve, seals the refrigerant piping and insulation, creating an air leakage seal, that permanently supports the refrigerant piping at the point of equipment service areas, professionally engineered and with an architectural aesthetic finish design. The sleeve also features a designated region to accommodate a stainless-steel clamp that mechanically grips both refrigerant piping and piping insulation, mechanically securing against vibration, rodents, insects, and pipe insulation protection for outdoor usage.

TGS Series



Packaging

TSS Series



Packaging

U.S. Patent #9,091,377 B2
#9,523,200 B2



Wall Surface Applications

- Brick
- Concrete
- Masonry
- Metal Paneling
- Siding
- Stone
- Stucco
- Drywall

Weather and Physical Damage Protection



| Outlet Approved Product & Material Testing | | | | | |
|---|------------------|---------------------------------|---|-------------------|-------------------|
|  | ASTM E283 | Air Leakage |  | ASTM E331 | Water Penetration |
|  | UL 746C | Outdoor Suitability - f1 Rating |  | ASTM E2178 | Air Permeability |

Other Pertinent Material Tests

- **ASTM D1525C-09** - Temperature Deformation
- **ASTM D648-07** - Temperature Load Deformation
- **UL 94 HB** - Flammability
- **ASTM D573-04** - Deterioration
- **ASTM D746-07** - Brittleness Temperature

Codes & Standards Compliance

- **2012, 2015, 2018 International Energy Conservation Code (IECC)**
 - Commercial**
 - Air Leakage** (Mandatory) - C402.4 & C402.4.2 (2012); C402.5 & C402.5.1.1(3) (2015, 2018)
 - Air Barrier Penetration** (2018) - C402.5.1.1
 - Penetrations of the air barrier shall be caulked, gasketed or otherwise sealed... Sealing shall allow for expansion and contraction of materials and mechanical vibration.
 - Residential**
 - Air Leakage** (Mandatory) Section R402.4.1, R402.4.1.1, R402.4.1.2 (2012, 2015); R402.4, R402.4.1.1, R402.4.1.2 (2018)
 - Building Thermal Envelope - Penetrations
- **2016, 2019 California Building Energy Efficiency Standards (TITLE 24 ENERGY CODE)**
 - Commercial, Residential Sections**
 - Air Leakage** (Mandatory) - Section 110.7 All joints, penetrations and other openings in the building envelope that are potential sources of air leakage shall be caulked, gasketed, weather stripped, or otherwise sealed to limit infiltration and exfiltration.
- **2016, 2018 Uniform Mechanical Code (UMC) Chapter 11 Refrigeration**
 - Scope** 1101.0; **General** 1106.0; **Support** 1106.2; **Piping Vibration & Strain** 1111.1; **Support** 1111.2...piping and tubing shall be securely fastened to a permanent support within six (6) feet from... the compressor; **Visual Inspection** 1111.4
- **2012, 2015, 2018 International Mechanical Code (IMC) Chapter 3**
 - General** 301.1; **Energy Utilization** 301.2; Listing, Labeling 301.7; 301.11; **Vibration Isolation** 301.13; **Rodent Proofing** 301.17; **Wind Resistance** 301.15; **Piping Support** 305, 305.1, 305.2, 305.4; **Refrigeration Piping** 1107 ASME B31.5
- **2012, 2015, 2018 International Building Code (IBC) Appendix F**
 - Rodent Proofing** F101.3
- **2012, 2015, 2018 International Residential Code (IRC) Chapter 11 Part IV Energy Efficiency**
 - General** N1101; **Scope** N1101.1; **Air Leakage** N1102.4; **Building Thermal Envelope** N1102.4.1 - (1. All joints, seams, penetrations)



Performing Insulation Protection



Product Summary

The E-FLEX GUARD™ is an Insulation Protector for HVAC Piping on Outdoor applications, complying with mandatory code requirements where adhesive tapes are no longer allowed, as specifically prescribed by the new Building/Residential/Energy Codes. Engineered PVC Material is UV/Weather Resistant and a Class II Vapor Retarder that complies with new energy codes, and sustainably protects outdoor pipe insulation (All-In-One).

UV Weather Protector & Vapor Retarder (All-In-One)!

- Meets mandatory Building Codes, Energy, Residential, Mechanical, and Green Codes
- Made in The USA
- Outdoor UV/Weather Grade Resistant Construction
- Self-Gripping, Dual-Bonded Hook & Loop Fastening System
- Removable/Reusable for Maintenance
- Protector and Class II Vapor Retarder (All-In-One)
- Meets ASTM G153 Weatherization and UV
- Meets ASTM E-96 Water/Vapor Permeability

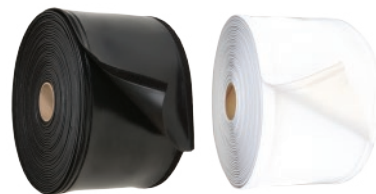
AIREX E-FLEX GUARD™ – Flexible, insulation protection jacket system engineered with PVC Sheeted Material specifically formulated for outdoor piping insulation protection. The integral fastening system is non-adhesive, dual bonded, hook and loop, making it Removable and Reusable for Maintenance required by code. Additional, unrivaled benefits include: Class "A" Fire/Smoke Rating, Vapor Retarder, Anti-Fungal, Anti-Microbial, variable piping insulation diameter sizes, lengths of up to 75 feet, plus available 90-Degree Angle fittings. The Insulation Protection System completes a code compliant, secure, professional aesthetic installation as a sustainable solution to maintain energy efficiency and optimum performance of HVAC equipment.

6ft Rolls 72 Series



Packaging

75 ft Rolls 750 Series



Packaging

90° Angles 90 Series



U.S. Patent #9,091,377 B2
#9,523,200 B2



Weather and Physical Damage Protection



Insulation Protection Approved Product & Material Testing

| | | | | | |
|--|------------------|--------------------------------|--|------------------------|-------------------------------|
| | ASTM G153 | Weatherization and UV Exposure | | ASTM E84/UL 723 | Flame and Smoke Rating 25/450 |
| | ASTM D570 | Water Absorption | | ASTM G21 | Anti-Fungal/Anti-Microbial |
| | ASTM E96 | Water/Vapor Permeability | | ASTM D412 | Tension Deformation Test |

Codes & Standards Compliance

- IECC - 2012, 2015, 2018 Protection of Piping Insulation – Commercial Section**
 C403.2.8.1 (2018), C403.2.10.1 (2015), C403.2.8.1 (2012)
- Residential Section**
 R403.3.1, (2012, 2015), R403.4.1 (2018)
 Protection of Piping Insulation: Piping insulation exposed to weather shall be protected from damage, including that due to sunlight, moisture, Equipment Maintenance, wind and shall provide shielding from solar radiation that can cause degradation of the material. Adhesive tape shall not be permitted.
- 2016, 2019 California Building Energy Efficiency Standards (TITLE 24 ENERGY CODE)**
 Commercial Requirement for Pipe Insulation, Section 120.3(a) 1. (b) 1. & 2.
 Residential Requirement for Pipe Insulation, Section 150.0(j)3. A. & B.
- International Mechanical Code 1107.7 - Exposure of refrigerant pipe joints.**
 Refrigerant pipe joints erected on the premises shall be exposed for visual inspection prior to being covered or enclosed.
- IRC - 2018**
 Refrigerant Line Insulation Protection - M1411.61 - Section N1103.4.1
- ASHRAE Standard 90.1 - 2013, 2016, 2019**
 a. Insulation exposed to weather shall either be rated for outdoor use or be installed with a cover suitable for outdoor service; e.g., including but not limited to protected by aluminum, sheet metal, painted canvas, or plastic cover. Cellular foam insulation shall be protected as above or painted with a coating that is water retardant and provides shielding from solar radiation that can cause degradation of the material.
 b. Insulation covering chilled water piping and refrigerant suction piping located outside the conditioned space shall have a Class I or Class II vapor retarder facing, or the insulation shall be installed at the thickness that qualifies as a Class I or Class II vapor retarder.
- 2009, 2012, 2015, 2018 International Mechanical Code (IMC) Chapter 3**
 General Regulations Section 301.1 Scope - Sections 301.10, 301.11, 301.14, 301.15, 305.1, 305.2, 305.4
- 2009, 2012, 2015, 2018 Uniform Mechanical Code (UMC) Chapter 11 Refrigeration – Section 1101.0 Scope -**
 Section 1101.1 - General Requirements Section 1106.0 – Section 1106.2, Section 1111.0 Erection of Refrigerant Piping & Vibration – Sections 1111.1, 1111.2, 1111.4



Complete Sustainable HVAC & Building Performance



Product Summary

The AIREX PRO-SYSTEM KIT™ is a 2-In-1 System that combines air-tight sealing with a wall-mounted piping outlet and a UV/Vapor Retarder piping insulation protector for exterior applications of HVAC refrigerant piping wall penetrations and outdoor insulation.

Weather and Physical Damage Protection

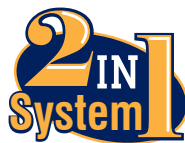


AIREX PRO-SYSTEM KIT™ is a 2-in-1 System for combined air-tight sealing wall-mounted piping outlets and UV/Vapor Retarder insulation protection system for exterior HVAC refrigerant piping penetrations and outdoor insulation located at the point of service connections for outdoor equipment.

The 2-In-1 System (Includes TITAN OUTLET and E-FLEX GUARD) Offers improved sustainability, energy efficiency, and optimum performance of building wall, outdoor pipe insulation, and HVAC equipment. Due to the multi-dimensional complexities of recent building energy codes, building codes, green codes, mechanical codes, residential codes, and standards within this category, using AIREX PRO-SYSTEM KIT™ is the only guaranteed solution to meet all your quality needs and mandatory code requirements.



TGS Series



TSS Series



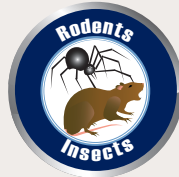
U.S. Patent #9,091,377 B2
#9,523,200 B2



TITAN OUTLET™
Engineered Solution for Wall Sealing HVAC Penetrations

E-FLEX GUARD™
Insulation Protector for HVAC Piping on Outdoor Applications

Weather and Physical Damage Protection



Outlet Approved Product & Material Testing

- **ASTM E283** – Standard Test Method for Air Leakage
- **ASTM E331** – Standard Test Method for Water Penetration
- **ASTM D1525C-09** - Temperature Deformation Test
- **ASTM D648-07** - Temperature Load Deformation Test
- **UL 94 HB** - Flammability Test
- **UL 746C** - Outdoor Suitability - f1 Rating
- **ASTM D573-04** - Deterioration Test

Codes & Standards Compliance

(See page 6 for specific code language.)

- **2012, 2015, 2018 International Building Code (IBC)**
Appendix F: Rodent Proofing
- **2012, 2015, 2018 International Residential Code (IRC)**
Chapter 11 Part IV Energy Efficiency
- **2012, 2015, 2018 International Energy Conservation Code (IECC)**
- **2016, 2018 Uniform Mechanical Code (UMC)**
Chapter 11 Refrigeration
- **2012, 2015, 2018 International Mechanical Code (IMC)** Chapter 3
- **2016, 2019 California Building Energy Efficiency Standards (TITLE 24 ENERGY CODE)**
Commercial, Residential Sections

Insulation Protector Approved Product & Material Testing

- **ASTM G153** – Weatherization and UV Exposure
- **ASTM E96** – Water/Vapor Permeability
- **ASTM G21** – Anti-Fungal/Anti-Microbial
- **ASTM D570** – Water Absorption
- **ASTM E84/UL 723** - Flame and Smoke Rating 25/450

Codes & Standards Compliance

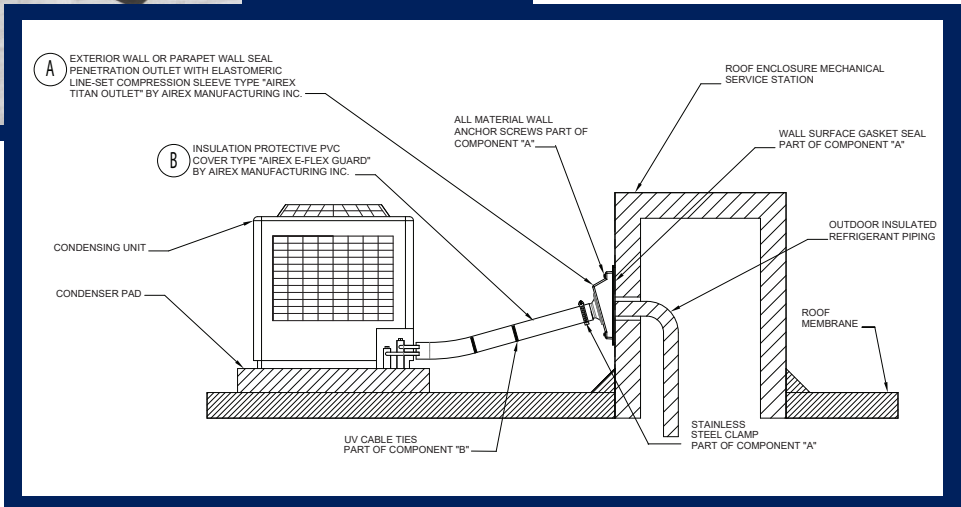
(See page 8 for specific code language.)

- **IECC - 2012, 2015, 2018 Protection of Piping Insulation – Commercial, Residential Section**
- **2016, 2019 California Building Energy Efficiency Standards (TITLE 24 ENERGY CODE)**
Commercial Requirement for Pipe Insulation, Section 120.3(a) 1. (b) 1. & 2.
Residential Requirement for Pipe Insulation, Section 150.0(j)3. A. & B.
- **International Mechanical Code 1107.7 - Exposure of refrigerant pipe joints.**
- **IRC - 2018**
Refrigerant Line Insulation Protection - M1411.61 - Section N1103.4.1
- **ASHRAE Standard 90.1 - 2013, 2016, 2019**
- **2009, 2012, 2015, 2018 International Mechanical Code (IMC)** Chapter 3
- **2009, 2012, 2015, 2018 Uniform Mechanical Code (UMC)** Chapter 11 Refrigeration

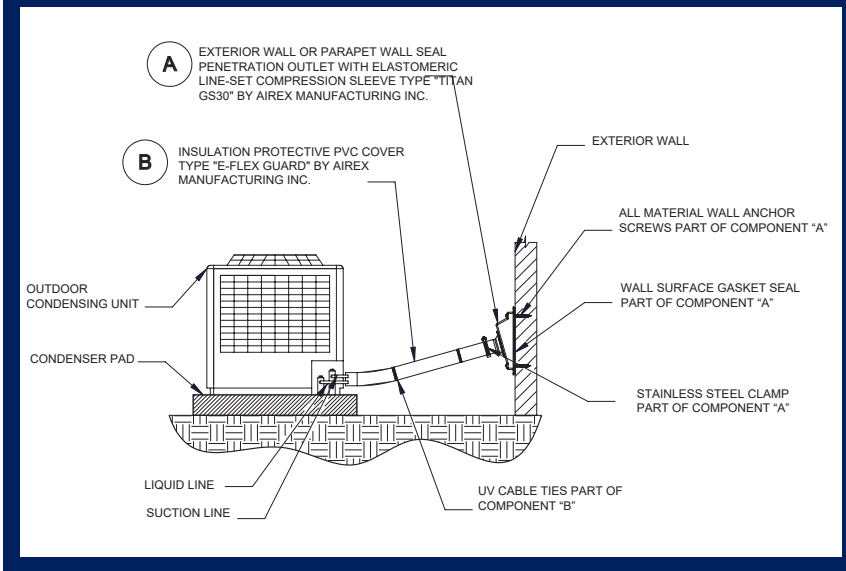
Installations Using CAD Drawings



Mechanical Rooftop Service Station

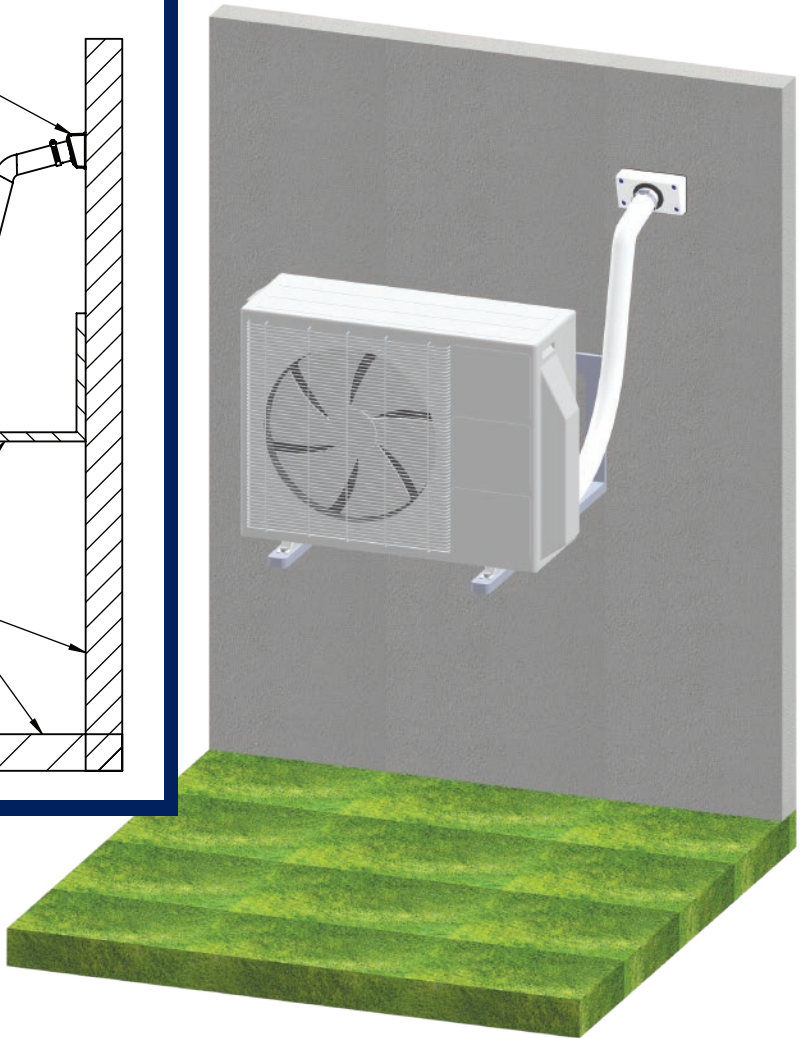
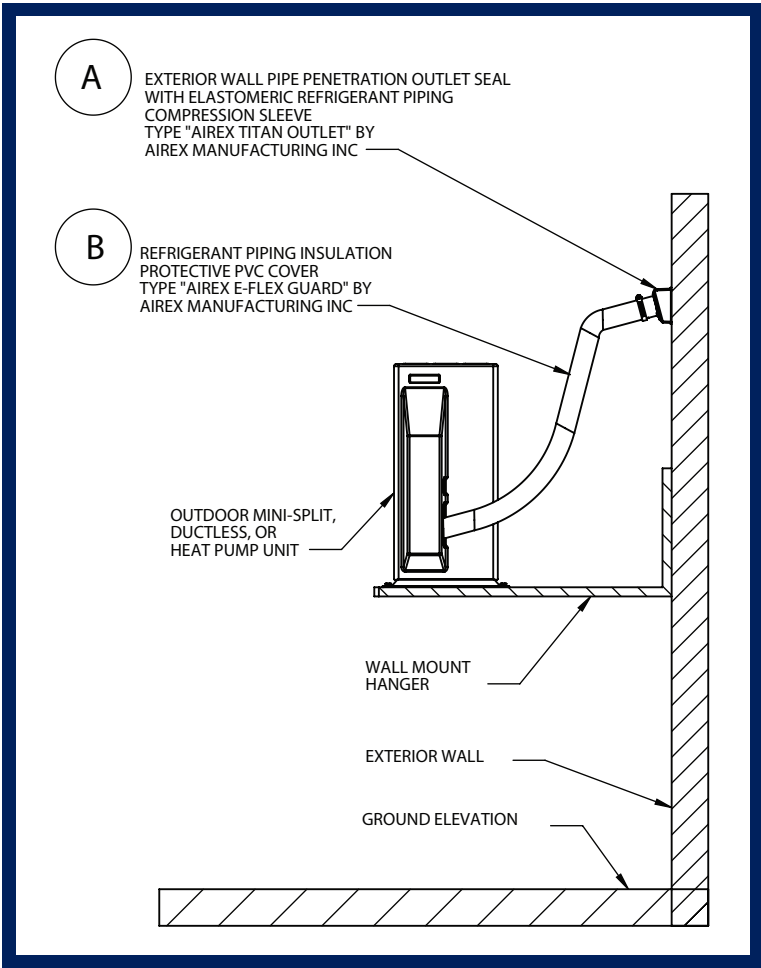


Wall Installation



Mini-Split Unit Application

Refrigerant Piping Diagram Wall-Mounted Mini-Split Unit



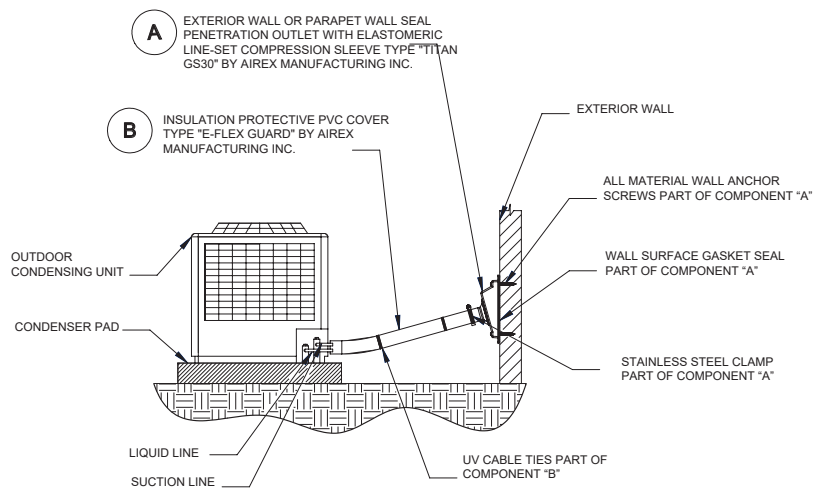
CAD Drawings Available



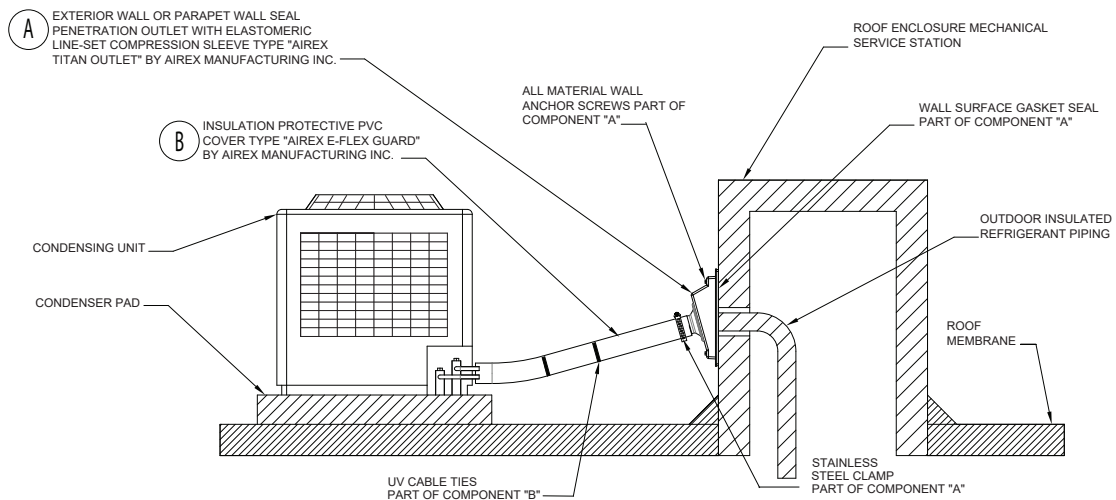
"We assist engineers by maintaining the only CAD resource"

- Acquire CAD Drawings for use in your projects.
- Update your plans
- Fast implementation

TGS Condensing Unit Refrigerant Piping Diagram



TGS Rooftop Enclosure Application



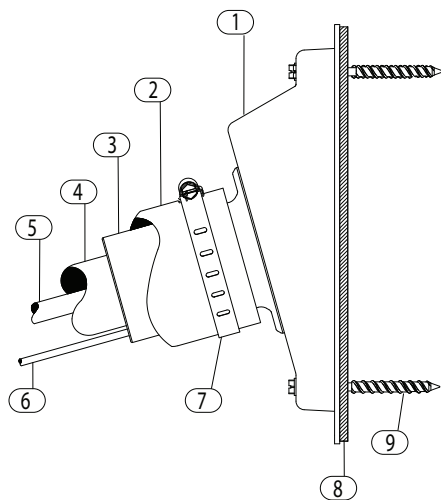
CAD Drawings Available

of HVAC wall sealing and insulation protection!"

- Download from www.airexmfg.com
- Available in the following formats: PDF, DXF, DWG, RFA

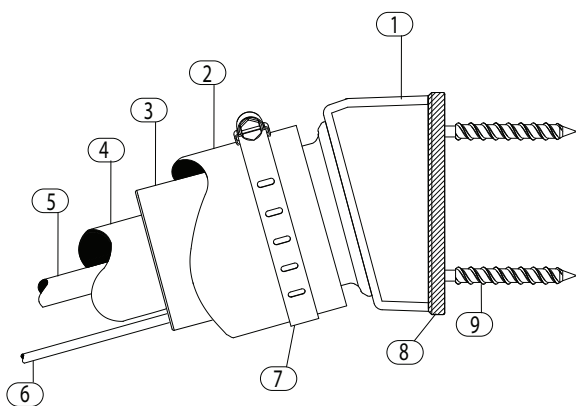


TGS Pipe Penetration Detail



1. EXTERIOR WALL OR PARAPET WALL SEAL PENETRATION OUTLET WITH ELASTOMERIC SLEEVE
2. INSULATION PROTECTIVE PVC COVER
3. ELASTOMERIC LINE-SET COMPRESSION & ANTI-VIBRATION SLEEVE
4. INSULATION FOR REFRIGERATION SUCTION LINE
5. REFRIGERATION SUCTION LINE
6. REFRIGERATION LIQUID LINE COPPER
7. MECHANICAL CONNECTION SECURED WITH STAINLESS STEEL CLAMP
8. WALL SURFACE SEAL ELASTOMERIC GASKET
9. WALL FASTENERS SELF-TAPPING 3/8" HEX HEAD 1/4" DIAMETER ALL MATERIAL ANCHORS SCREWS WITH ELASTOMERIC WASHERS

TSS Pipe Penetration Detail

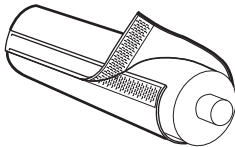


Recommended Sizing Table



72 Series: 1.8 m

1.8 m Lengths
72 Series



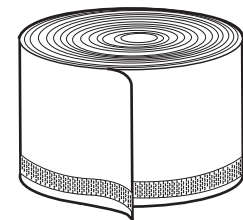
| Airex Part Number | Diameter | Width | Pipe Insulation Thickness | With Tube Size |
|-------------------|----------|-------|---------------------------|----------------|
| 72E-B | 4 cm | 20 cm | 13 mm 1/2" | 16 mm 5/8" |
| | | | | 19 mm 3/4" |
| | | | | 22 mm 7/8" |
| 72C-B | 6 cm | 24 cm | 19 mm 3/4" | 16 mm 5/8" |
| | | | | 19 mm 3/4" |
| | | | 13 mm 1/2" | 22 mm 7/8" |
| | | | | 29 mm 1-1/8" |
| 72X-B | 8 cm | 29 cm | 25 mm 1" | 19 mm 3/4" |
| | | | | 22 mm 7/8" |
| | | | 19 mm 3/4" | 29 mm 1-1/8" |

Pro Tip for Sizing:
 E = 4 cm diameter
 C = 6 cm diameter
 X = 8 cm diameter

750 Series: 22.86 m

| Airex Part Number | Diameter | Width | Pipe Insulation Thickness | With Tube Size |
|-------------------|----------|-------|---------------------------|----------------|
| 750E-B | 4 cm | 20 cm | 13 mm 1/2" | 16 mm 5/8" |
| | | | | 19 mm 3/4" |
| | | | | 22 mm 7/8" |
| 750C-B | 6 cm | 24 cm | 19 mm 3/4" | 16 mm 5/8" |
| | | | | 19 mm 3/4" |
| | | | 13 mm 1/2" | 22 mm 7/8" |
| | | | | 29 mm 1-1/8" |
| 750X-B | 8 cm | 29 cm | 25 mm 1" | 19 mm 3/4" |
| | | | | 22 mm 7/8" |
| | | | 19 mm 3/4" | 29 mm 1-1/8" |

22.86 m Rolls
750 Series

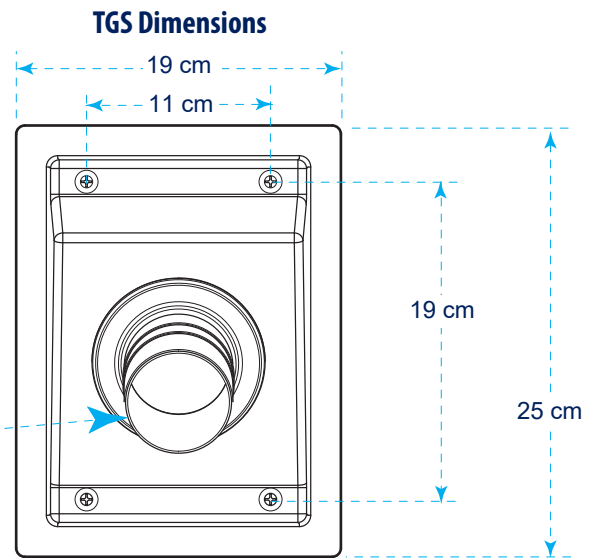


Recommended Sizing Table



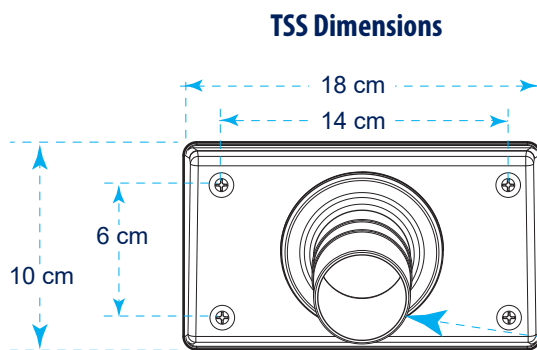
TGS Model: Stucco & Masonry Applications

| Airex Part Number | Pipe Insulation Thickness | With Tube Size |
|-------------------|---------------------------|----------------|
| TGS-550-G | 19 mm 1/2" | 16 mm 5/8" |
| | | 19 mm 3/4" |
| | | 22 mm 7/8" |
| TGS-575-G | 19 mm 3/4" | 16 mm 5/8" |
| | 13 mm 1/2" | 19 mm 3/4" |
| | | 22 mm 7/8" |
| TGS-510-G | 25 mm 1" | 16 mm 5/8" |
| | 19 mm 3/4" | 19 mm 3/4" |
| | | 22 mm 7/8" |
| | | 29 mm 1-1/8" |



| Airex Part Number | Sleeve Diameter |
|-------------------|-----------------|
| TGS-550-G | 4 cm |
| TGS-575-G | 6 cm |
| TGS-510-G | 8 cm |

TSS Model: Siding or Compact Applications



| Airex Part Number | Pipe Insulation Thickness | With Tube Size |
|-------------------|---------------------------|----------------|
| TSS-550-G | 13 mm 1/2" | 16 mm 5/8" |
| | | 19 mm 3/4" |
| | | 22 mm 7/8" |
| TSS-575-G | 19 mm 3/4" | 16 mm 5/8" |
| | 13 mm 1/2" | 19 mm 3/4" |
| | | 22 mm 7/8" |
| | | 29 mm 1-1/8" |

| Airex Part Number | Sleeve Diameter |
|-------------------|-----------------|
| TSS-550-G | 4 cm |
| TSS-575-G | 6 cm |

Model Numbers

PROSYSTEMKIT™

Complete Sustainable HVAC & Building Performance

| TGS Series Masonry, Stucco, & Flat Applications | Part Number | Fits Pipe Insulation Thickness | Color |
|---|-----------------------|--------------------------------------|-----------------------------|
|  | TGS-650G-72E-B | 13 mm | Gray TITAN Black E-FLEX |
| | TGS-675G-72C-B | 19 mm | Gray TITAN Black E-FLEX |
| | TGS-610G-72X-B | 25 mm | Gray TITAN Black E-FLEX |
|  | TGS-650G-72E-W | 13 mm | Gray TITAN White E-FLEX |
| | TGS-675G-72C-W | 19 mm | Gray TITAN White E-FLEX |
| | TGS-610G-72X-W | 25 mm | Gray TITAN White E-FLEX |
|  | TGS-650W-72E-B | 13 mm | White TITAN Black E-FLEX |
| | TGS-675W-72C-B | 19 mm | White TITAN Black E-FLEX |
| | TGS-610W-72X-B | 25 mm | White TITAN Black E-FLEX |
|  | TGS-650W-72E-W | 13 mm | White TITAN White E-FLEX |
| | TGS-675W-72C-W | 19 mm | White TITAN White E-FLEX |
| | TGS-610W-72X-W | 25 mm | White TITAN White E-FLEX |



| TSS Series Siding or Compact Applications | Part Number | Fits Pipe Insulation Thickness | Color |
|--|-----------------------|--------------------------------------|-----------------------------|
|  | TSS-650G-72E-B | 13 mm | Gray TITAN Black E-FLEX |
| | TSS-675G-72C-B | 19 mm | Gray TITAN Black E-FLEX |
|  | TSS-650G-72E-W | 13 mm | Gray TITAN White E-FLEX |
| | TSS-675G-72C-W | 19 mm | Gray TITAN White E-FLEX |
|  | TSS-650W-72E-B | 13 mm | White TITAN Black E-FLEX |
| | TSS-675W-72C-B | 19 mm | White TITAN Black E-FLEX |
|  | TSS-650W-72E-W | 13 mm | White TITAN White E-FLEX |
| | TSS-675W-72C-W | 19 mm | White TITAN White E-FLEX |

Model Numbers



TITANOUTLET™

Seals HVAC Piping Wall Penetrations



TGS Series
Masonry, Stucco,
& Flat Applications

| | Part Number | Fits Pipe Insulation Thickness | Color |
|---|------------------|--------------------------------|-------------|
|  | TGS-550-G | 13 mm | Gray TITAN |
| | TGS-575-G | 19 mm | Gray TITAN |
| | TGS-510-G | 25 mm | Gray TITAN |
|  | TGS-550-W | 13 mm | White TITAN |
| | TGS-575-W | 19 mm | White TITAN |
| | TGS-510-W | 25 mm | White TITAN |

TGS 3/4 Inch Series
3/4" Thick Gasket
Extreme Uneven Surface Masonry, Stucco, Applications

| | | | |
|---|---------------------|-------|-------------|
|  | TGS-550-G-34 | 13 mm | Gray TITAN |
| | TGS-575-G-34 | 19 mm | Gray TITAN |
| | TGS-510-G-34 | 25 mm | Gray TITAN |
|  | TGS-550-W-34 | 13 mm | White TITAN |
| | TGS-575-W-34 | 19 mm | White TITAN |
| | TGS-510-W-34 | 25 mm | White TITAN |

TSS Series
Siding or Compact
Applications

| | | | |
|---|------------------|-------|-------------|
|  | TSS-550-G | 13 mm | Gray TITAN |
| | TSS-575-G | 19 mm | Gray TITAN |
|  | TSS-550-W | 13 mm | White TITAN |
| | TSS-575-W | 19 mm | White TITAN |

EFLEXGUARD™

Performing Insulation Protection

72 Series
6 ft. Lengths

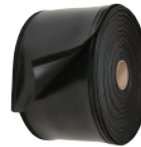


| Part Number | Fits Pipe Insulation Thickness | Color |
|--------------|--------------------------------|--------------|
| 72E-B | 13 mm | Black E-FLEX |
| 72C-B | 19 mm | Black E-FLEX |
| 72X-B | 25 mm | Black E-FLEX |



| | | |
|--------------|-------|--------------|
| 72E-W | 13 mm | White E-FLEX |
| 72C-W | 19 mm | White E-FLEX |
| 72X-W | 25 mm | White E-FLEX |

750 Series
75 ft. Lengths



| | | |
|---------------|-------|--------------|
| 750E-B | 13 mm | Black E-FLEX |
| 750C-B | 19 mm | Black E-FLEX |
| 750X-B | 25 mm | Black E-FLEX |



| | | |
|---------------|-------|--------------|
| 750E-W | 13 mm | White E-FLEX |
| 750C-W | 19 mm | White E-FLEX |
| 750X-W | 25 mm | White E-FLEX |

90 Series
90° Angles



| | | |
|--------------|-------|----------------|
| 90E-B | 13 mm | Black 90 Angle |
| 90C-B | 19 mm | Black 90 Angle |
| 90X-B | 25 mm | Black 90 Angle |



| | | |
|--------------|-------|----------------|
| 90E-W | 13 mm | White 90 Angle |
| 90C-W | 19 mm | White 90 Angle |
| 90X-W | 25 mm | White 90 Angle |

For All Inquiries



www.airexmfg.com

Please, visit our website for:

- **Brochures**
- **Product Lists**
- **CAD Drawings**
- **Submittal Sheets**
- **Product Instructions**
- **Product Specifications**

Contact Information

Airex Manufacturing, Inc.
72170 Dunham Way, Suite D
Thousand Palms, CA 92276 USA

Phone: 760.343.2277
Fax: 760.501.7912
Email: europe@airexmfg.com
Operation Hours: 8:00am-5:00pm PST

